

Saniflo  SFA GROUP

THE COMPLETE  
RANGE FOR  
EVERY PUMP  
REQUIREMENT



CATALOGUE  
**2023**

**PUMPS AND MACERATORS**





13

MACERATORS



29

SANICOMPACT  
RANGE



32

GREY WATER  
PUMPS

# Contents

---

4	SFA GROUP
6	MADE IN FRANCE
8	CORPORATE SOCIAL RESPONSIBILITY
9	WHAT IS A SANIFLO SOLUTION?
10	OUR SERVICES
11	GLOSSARY
12	OUR GRINDING TECHNOLOGIES

---

13	Macerators
15	Saniflo UP
16	Sanitop UP
17	Sanipro XR UP
18	Saniplus UP
19	Sanislim
20	Sanibest Pro
21	Saniwall Pro UP - Glass version
22	Saniwall Pro UP - Tiled version
23	Sanipack Pro UP
24	Saniaccess 1
25	Saniaccess 2
26	Saniaccess 3
27	Sanialarm
27	Descaler

---

28	Correct Saniflo installation?
29	Sanicompact range
30	Sanicompact
31	Saniflush

---

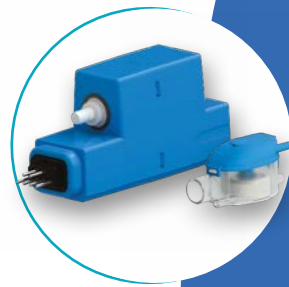
32	Grey water pumps
34	Installing a domestic grey water pump
35	Sanishower Flat
36	Sanifloor + 1•2•3•4
38	Sanishower +
39	Sanispeed +
40	Sanivite +
41	Saniaccess Pump

- 42 | After sales service
- 43 | Submersible pumps
- 44 | Sanipuddle
- 46 | Sanisub 400
- 48 | Sanisub Steel and  
Emergency Kit



**43**  
SUBMERSIBLE PUMPS

- 50 | Saniclim range
- 52 | Sanicondens Clim Mini
- 53 | Sanicondens Clim Pack
- 54 | Sanicondens Clim Deco
- 55 | Sanicondens Clim Maxi



**50**  
SANICLIM

- 56 | Sanicondens range
- 58 | Sanicondens Deco +
- 59 | Sanicondens Eco
- 60 | Sanicondens Pro
- 61 | Sanicondens Best Flat
- 62 | Sanineutral Mini
- 63 | Sanineutral



**56**  
SANICONDENS

- 64 | Help in choosing the  
right lifting station
- 66 | Which lifting station  
to install?
- 68 | Sanicom 1
- 70 | Sanicom 2
- 72 | Sanicubic 1
- 74 | Sanicubic 2 Classic
- 76 | Sanicubic 2 Pro / 2 Pro Smart /  
2 Pro Smart Brushless
- 78 | Sanicubic 1 VX
- 80 | Sanicubic 2 VX
- 82 | Sanicubic 1 GR HP
- 84 | Sanicubic 2 GR HP



**64**  
LIFTING  
STATIONS

- 86 | Sanifos underground lifting  
stations installation advice
- 89 | Saniflo is here to support you
- 90 | Sanipump Grinder or Vortex
- 92 | Sanifos 110  
Grey water, black water
- 94 | Sanifos 280  
Grey water, black water
- 96 | Sanifos 610  
Grey water, black water
- 98 | Floor-standing pumping station - form
- 99 | Underground pumping station - form



**86**  
UNDERGROUND  
LIFTING STATIONS

# SFA GROUP: THE WORLD LEADER FOR SANITARY EQUIPMENT

## AN INTERNATIONAL GROUP

SFA is established in 27 countries on 5 continents. Not only providing products but also trained professionals to help install and maintain our products to keep our customers happy.

Canada  
USA

Germany  
Austria  
Belgium  
Spain  
France  
Ireland

Italy  
Luxembourg  
Netherlands  
Portugal  
Poland  
Czech Republic

Romania  
United Kingdom  
Sweden  
Switzerland  
Turkey

China  
India  
Japan  
Vietnam

Brazil

South Africa

Australia  
New Zealand

### +OUR MANY EXPORT COUNTRIES

Cyprus, Malta, Norway, Baltic States, Croatia, Israel, Ukraine, Bulgaria, Middle East, French overseas departments and territories, Algeria, Morocco, Tunisia, Egypt, Greece, Sudan, Finland, West Africa, and more...



## THE SFA GROUP

In 1958 SFA Group invented the macerator; an ingenious product that has revolutionised interior design throughout the world.

Our technological advances mean we have strived to improve our offer both to homes and commercial properties.

The SFA Group is focusing on 4 main areas of development:

- **Domestic pumping solutions**
- **Commercial pumping solutions**
- **Equipment for the showering and spa industries**
- **Water treatment**

## VISION AND PERSPECTIVE

Our growth in the sector was boosted by the acquisition of Zehnder Pumpen, who were already a global player in the lifting stations market.

Now SFA has an even stronger market position and even more pumps and lifting stations in our range to bring you the product that is right for your project.

### 1958

SFA was founded and the first macerator was invented. Acquisition of Europelec

### 1970

Established the market in Europe and North America

### 1988

Acquisition of Kinedo - our shower brand

### 1990

ISO certification of our factories

### 2019

Acquisition of Zehnder Pumpen

### 2020

New corporate identity and acquisition of Format showers and Aquaturbo Systems

### 2022

Creation of two new subsidiaries - India and Vietnam

# MADE IN FRANCE

The Saniflo factory in Brégy, France has been operating since 1958 and now has around 300 employees, all working hard to bring to life our SFA motto ‘making things easier’ for both our customers and installers.

Due to the continuous investment, our site in Brégy has grown significantly and is now almost a completely autonomous production centre.

## TEST AND DESIGN



New ideas and thorough testing take place in the site laboratory, to ensure the quality and longevity of each product.

## PRODUCING COMPOSITE AND RUBBER PARTS



We have 42 injection moulding machines and 760 moulds within the factory. The production is fully automated, from taking the plastic pellets from silos right through to finished goods.

## SFA ACADEMY



Our factory in Brégy now has a 300 m<sup>2</sup> showroom with an adjoining 40 m<sup>2</sup> training room for training via the SFA Academy. The showroom displays about 50 SFA products, including domestic and commercial products.

Our UK head office has a showroom and meeting room, used for meetings and training.

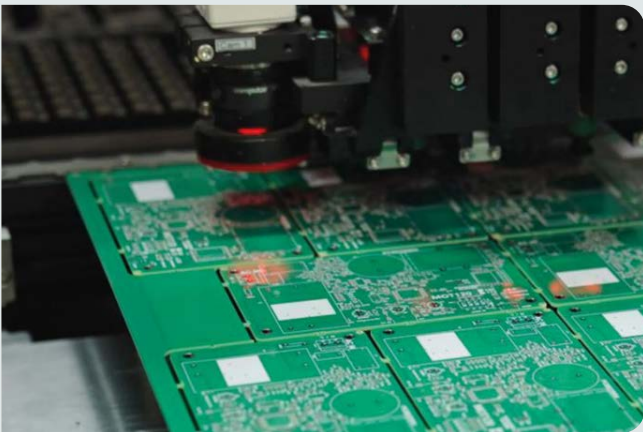
## WINDING AND MANUFACTURING MOTORS



SFA production lines have included the manufacture of the winding and assembly of the motors since 1960.

This is fully robotic process with digital controls to ensure the quality of the process throughout the production.

## ELECTRONIC COMPONENTS



Our electronic components are also manufactured on site at Brégy and assembled by our operators.

## LOGISTICS

Products are shipped worldwide from our Brégy factory.



## COMPONENT ASSEMBLY



Components are assembled partly by human hand and partly by robots to ensure each component is meticulously positioned.

# CORPORATE SOCIAL RESPONSIBILITY

## OUR GOAL: TO DESIGN AND MANUFACTURE DOMESTIC AND PROFESSIONAL SOLUTIONS WHEREVER WATER FLOWS

In 2016, the management of SFA decided to engage the whole group in a Corporate Social Responsibility process looking at the environmental impact of the business, to meet new challenges in terms of communication, human resources and regulatory conformity.

Our commitment is to ensure growth whilst being sustainable and responsible for our activities, to meet social and environmental challenges whilst delivering excellent customer service.

Our inventiveness in the design of our products as well as the creation of our brands respect two fundamentals: quality and service. SFA solutions and products set a benchmark within the profession and beyond when it comes to respecting best practices.

Issues related to the environment and looking at our eco-responsibilities start from the design through to delivery of the final product, as we look at ways we can reduce waste. We not only strive to improve our own performance, but also to raise the bar ever higher amongst our partners and suppliers.



### SOCIAL COMMITMENT AND SPONSORSHIP

In 2021, the SFA Group donated three AquaHome systems in Cambodia by partnering with Planet Water Foundation. Three of the poorest households in Siem Reap now and for the first time ever have clean water and lighting.

Since 2018, SFA has been supporting the organisation 'Une Villa en Urgence' during World Toilet Day by donating products. These are used when reconditioning spaces from old refrigerated truck trailers, into emergency accommodation for those without homes.



### ECOVADIS CSR ASSESSMENT

EcoVadis, the world's most reliable corporate sustainability assessor, awarded a bronze medal to the SFA Group.

The EcoVadis assessment is based on international sustainable development criteria, such as the Global Reporting Initiative (GRI) standards, the United Nations Global Compact and the ISO 26000 standard, which covers 200 categories of contributions and more than 160 countries.

The SFA Group was rated on the basis of a sustainability criteria assessment sheet, illustrating its performance through 21 indicators divided into four main categories:



- ENVIRONMENT
- LABOUR AND HUMAN RIGHTS

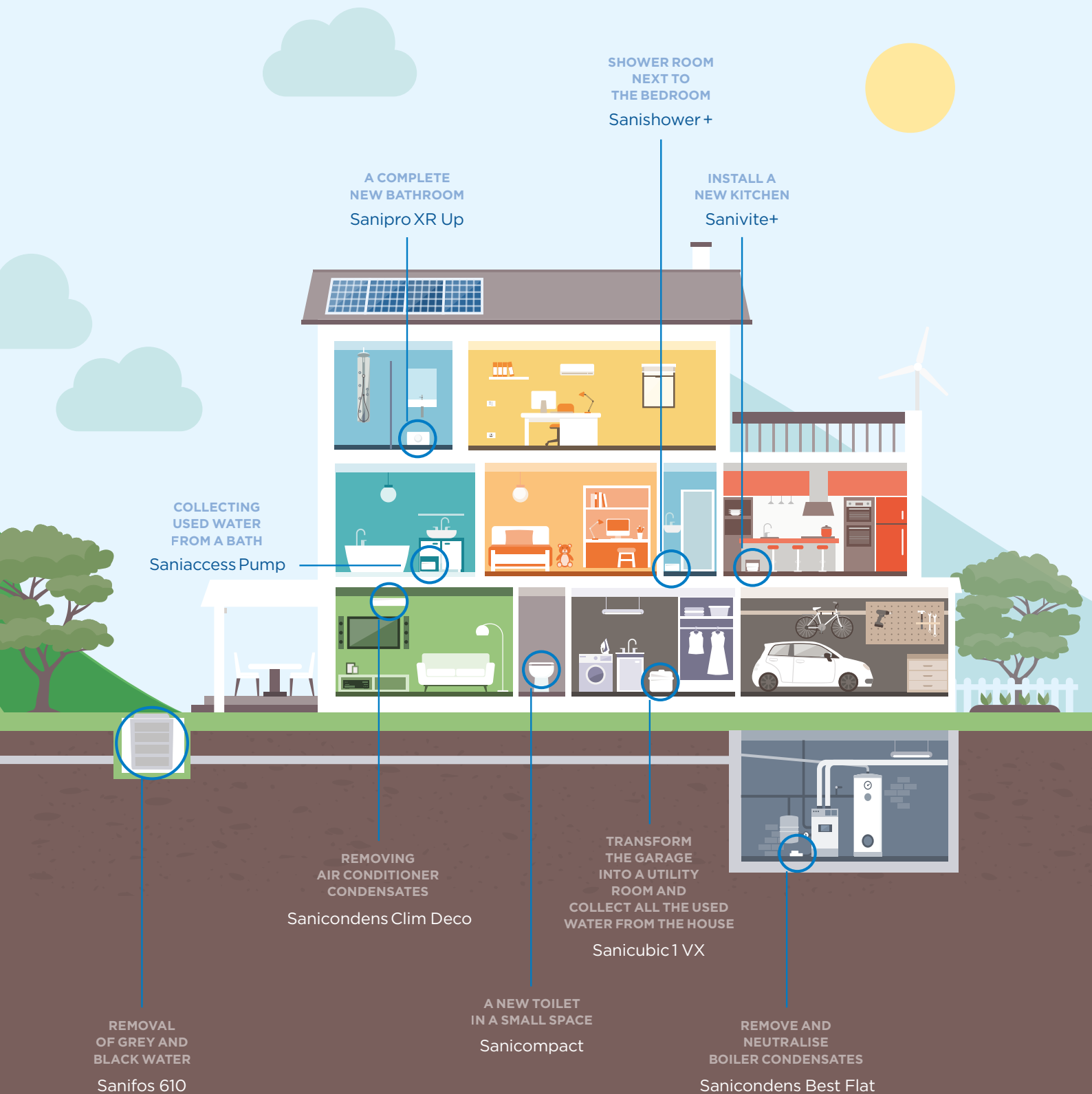
- ETHICS
- SUSTAINABLE PURCHASES



# WHAT IS A SANIFLO SOLUTION?

To adapt to the different stages of life, it may be necessary to modify and change your house by building an extension, or by adding an en-suite, additional bathroom or utility room. Saniflo products make it possible to carry out installation easily and without undertaking major building work.

If the additional new room is located at a distance from the main drainage system, perhaps in the attic, garage or in the basement, it is often easier and cost effective to use small bore pipework to create this new space rather than having to do major building work to connect to the main sewer.



# OUR SERVICES



## SFA OFFERS YOU THE QUIETEST RANGE OF GRINDERS AND PUMPS ON THE MARKET



Saniflo range	Sanipro XR Up	<b>46</b> dB(A)
Sanicompact	Sanicompact	<b>51</b> dB(A)
Sani Pump range	Sanishower+	<b>40</b> dB(A)
Sanicondens range	Sanicondens Deco+	<b>25</b> dB(A)

Compare this to the noise of a quiet library at 40dB(A) or the background noise in an average home 50dB(A)

## MEETING STANDARDS

SFA pumps and grinders are manufactured in France in our factory located in Oise. They meet the standards: **EN 12050-1 - EN 12050-2 - EN12050-3**

## BENEFIT FROM OUR EXTENDED WARRANTY



In order to register for your three year warranty extension, simply go to our website: **saniflo.co.uk** or fill in the warranty registration card inside the box and send it to us by post.

Our three year warranty extension is applied to the following products only:

**Saniflo Up, Sanitop Up, Saniplus Up, Sanipro Up, Sanipack Pro Up, Saniwall Pro Up, Sanivite +, Sanishower + and Sanispeed +.**

All other Saniflo products have a two year warranty period as standard.

# GLOSSARY

## Index




<b>Grey water</b>	Waste water from showers, baths, washing machines, dishwashers, washbasins and sinks, excluding water from a WC.
<b>Black water</b>	Waste water from toilets as well as water from bidets, showers, sinks, wash basins etc.
<b>Waste water</b>	Water modified by human activity. Refers to grey water and black water.
<b>Clear water</b>	Water containing particles smaller than 1 mm.
<b>Flood water</b>	Water containing material that could clog a pump.
<b>Rainwater</b>	Water from atmospheric precipitation.
<b>Corrosive and/or saline water</b>	Water containing a significant amount of dissolved solids that may pose a risk to an unsuitable pump (e.g. salts up to 15%).
<b>Potable water</b>	Water that is safe for human consumption.

## Abbreviations

<b>PE</b>	Polyethylene
<b>PA</b>	Polyamide
<b>PP</b>	Polypropylene
<b>EN-GJL</b>	Grey cast iron
<b>PPO</b>	Polyphenylene oxide
<b>FG</b>	Fibreglass
<b>LD</b>	Low density
<b>HD</b>	High density

<b>Q</b>	Flow rate
<b>H</b>	Head
<b>DN</b>	Nominal diameter
<b>Ext.</b>	External diameter
<b>SS</b>	Stainless steel
<b>GS</b>	Galvanised steel
<b>S1</b>	Continuous operation
<b>S3</b>	Intermittent operation

## Key

	Inlet
	Discharge
	Ventilation
The diameter means the external diameter Øext.	
The diameter is shown in mm.	

Our devices comply with EN12050-1 on all water pumping stations, EN12050-2 on pumps and EN 60335-1 on household electrical appliances. Products must be installed correctly and according to standards EN12056-4 and EN752.

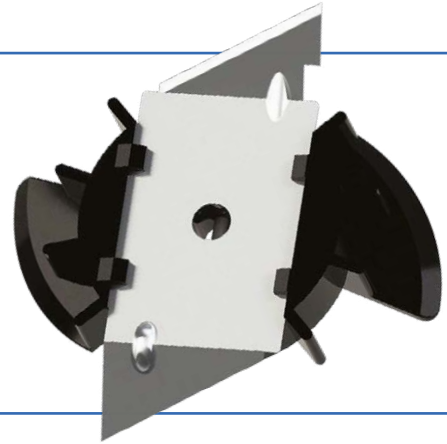
# OUR GRINDING TECHNOLOGIES

Due to the groups continuous research and development efforts, SFA macerators have remained at the forefront of technology since their invention. Noise level, accessibility and design are all key elements to meet the needs of our customers.

Our extensive range of macerator and pump solutions are made with a selection of different grinding or vortex systems suitable for every site situation.

## SINGLE BLADE Cutter

The single-blade cutter reduces the black waste into fine particles. The rotating steel blade cuts through waste materials and discharges the water and waste at the same time.



## MULTI CUTTER Disc

The multi-cutter disc uses a shredding action and acts as a turbine. This technology is available in the Sanicompact.



## PROX K2 Impeller

The prox K2 impeller is a more robust blade and has been designed to deal with the occasional obstruction such as a wet wipe, tampon, sanitary towel or condom.



## VORTEX KX V6 Impeller

SFA also has vortex technology. This technology is able to deal with particles of up to 50 mm, to meet the most demanding applications and creates a centrifugal action rather than a cutting blade.





## SANIFLO MACERATORS

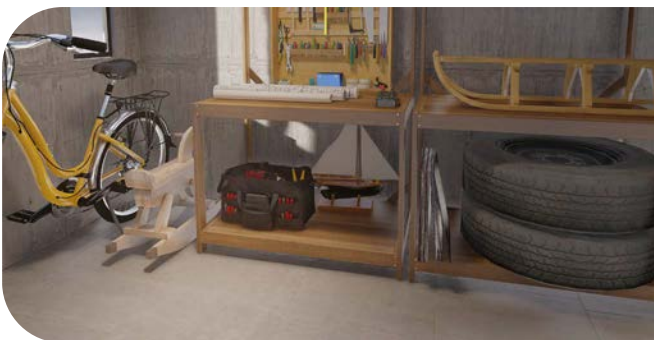
The Saniflo range means you can add additional facilities to your home even when drainage is a problem, without undertaking major building works.

For over 60 years, SFA has offered lifting station solutions and pumps for waste water to facilitate the development of both commercial and domestic properties.

The installation of a Saniflo macerator makes it possible to install a bathroom or kitchen even where there is no access to conventional drainage.

All you need is a water inlet and outlet and an electrical connection.








BEFORE



AFTER



# Macerators

		 WC	 Wall hung WC	 Basin	 Bidet	 Shower	 Easy installation
	<b>Saniflo UP</b> For one WC	 p.15					
	<b>Sanitop Up</b> For WC and basin	 p.16					
	<b>Sanipro Xr Up</b> For a bathroom	 p.17					
	<b>Saniplus Up</b> Large capacity tank: Ideal for receiving large volumes of water	 p.18					
	<b>Sanislim</b> A slimline macerator pump to fit easily behind slimline sanitaryware	 p.19					
	<b>Sanibest Pro</b> High performance macerator. Ideal for light commercial use	 p.20					
	<b>Saniwall Pro Up</b> A frame with an in-built macerator to install a wall hung WC (not included) available with glass front or décor panel for tiling	 p.21  p.22					
	<b>Sanipack Pro Up</b> The macerator designed to be concealed from view in bathroom furniture or behind a panel	 p.23					
	<b>Saniaccess 1-2-3</b> Complete solutions ideal for rental properties. (Subject to model chosen, check product details)	 p.24  p.25  p.26					
	<b>Descaler</b> Special sanitising cleaner	 p.27					
	<b>Sanialarm</b> Security, reassurance and peace of mind...					 p.27	

- RELIABILITY WITH 60 YEARS OF INNOVATION BEHIND EACH UNIT
- EASY ACCESS TO THE UNIT FOR MAINTENANCE
- AND STILL THE QUIETEST RANGE ON THE MARKET



# Saniflo UP



4 m  
100 m



See page 10

## PRODUCT BENEFITS

- Macerator for a WC only
- Easy replacement of an old model - identical pipe centres
- Easy maintenance using access at the top of the unit

## CONNECTIONS

← Discharge diameter ext. : 22/28/32 mm

→ External inlet diameter : 100 mm

- Direct access to the basket in case of blockage due to improper use of the device without dismantling the device and without emptying the tank



Single blade cutter

## PACK CONTAINS

Saniflo Up, non-return valve, connectors, activated carbon filter included to neutralise odours

## TECHNICAL FEATURES

Number of inlets	1
External inlet diameter	100 mm
Discharge diameter ext.	22/28/32 mm
Max. incoming temperature	35°C
Voltage / Frequency	220-240 V / 50-60 Hz
Motor power	400 W
IP Rating	IP44
Electrical class	I
Noise level	46 dB(A)
<b>Identification and logistics</b>	
Gross weight	6 kg
EAN code	3308815074191
Product code	6001

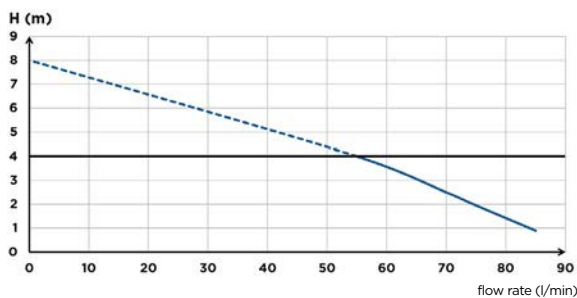
## OPTIONAL EXTRAS

Sanialarm  
Barcode: 3308810042799  
Product code: 1095



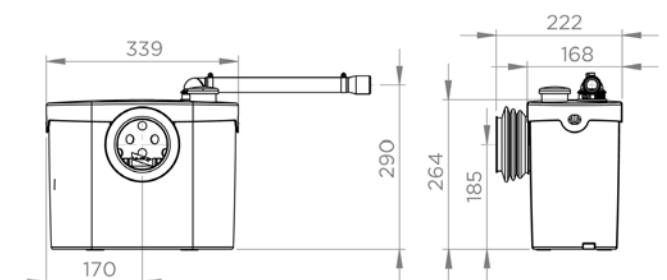
See page 27

## CURVE



— recommended max height: 4 m

## DIMENSIONS





5 m  
100 m



See page 10

## PRODUCT BENEFITS

- Macerator for WC and wash basin
- Easy replacement of an old model - identical pipe centres
- Easy maintenance due to access on the top of the unit

## CONNECTIONS

← Discharge diameter ext. : 22/28/32 mm

→ External inlet diameter : 40/100 mm

- Direct access to the basket in case of blockage due to improper use of the device without dismantling the device and without emptying the tank



Single blade cutter

## PACK CONTAINS

Sanitop Up, non-return valve, connectors, activated carbon filter included to neutralise odours

## TECHNICAL FEATURES

Number of inlets	2
External inlet diameter	40/100 mm
Discharge diameter ext.	22/28/32 mm
Max. incoming temperature	35°C
Voltage / Frequency	220-240 V / 50-60 Hz
Motor power	400 W
IP Rating	IP44
Electrical class	I
Noise level	46 dB(A)
<b>Identification and logistics</b>	
Gross weight	6 kg
EAN code	3308815074061
Product code	6002

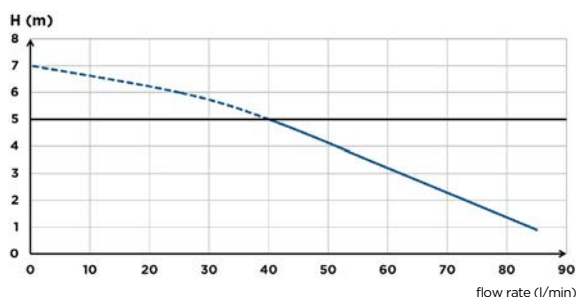
## OPTIONAL EXTRAS

Sanialarm  
Barcode: 3308810042799  
Product code: 1095



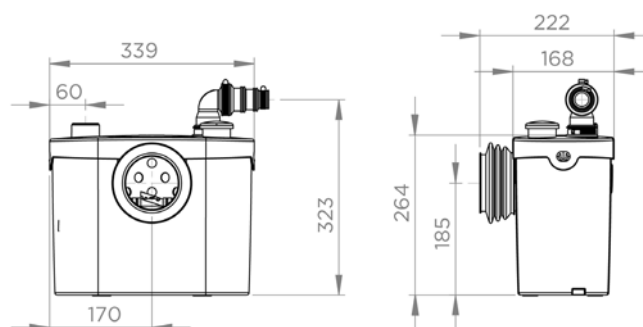
See page 27

## CURVE



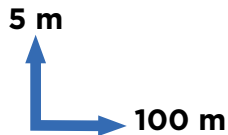
— recommended max height: 5 m

## DIMENSIONS





# Sanipro XR <sup>UP</sup>



See page 10

## PRODUCT BENEFITS

- Macerator that allows you to install a complete bathroom
- Easy maintenance with access at the top of the unit
- Easy replacement of an old model - identical pipe centres

## CONNECTIONS

← Discharge diameter ext. : 22/28/32 mm

→ External inlet diameter : 40/100 mm

- Direct access to the basket in case of blockage due to improper use of the device without dismantling the device and without emptying the tank



Single blade cutter

## PACK CONTAINS

Sanipro XR Up, non-return valve, connectors, activated carbon filter included to neutralise odours

## TECHNICAL FEATURES

Number of inlets	4
External inlet diameter	40/100 mm
Discharge diameter ext.	22/28/32 mm
Max. incoming temperature	35°C
Min. shower tray height	130 mm
Voltage / Frequency	220-240 V / 50-60 Hz
Motor power	400 W
IP Rating	IP44
Electrical class	I
Noise level	46 dB(A)
<b>Identification and logistics</b>	
Gross weight	7 kg
EAN code	3308815074108
Product code	6006

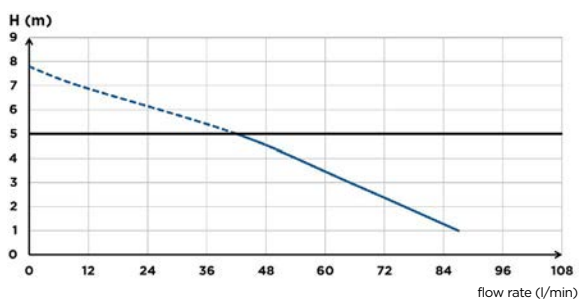
## OPTIONAL EXTRAS

Sanialarm  
Barcode: 3308810042799  
Product code: 1095



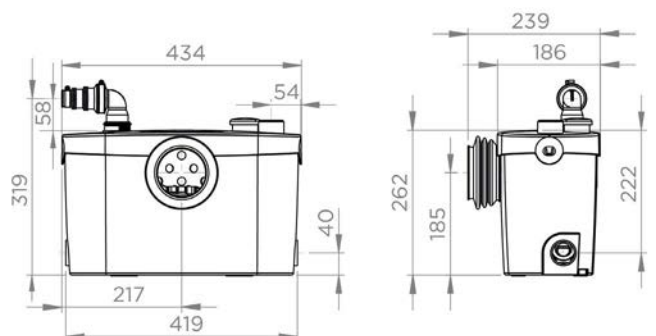
See page 27

## CURVE



— recommended max height: 5 m

## DIMENSIONS





5 m  
100 m



See page 10

## PRODUCT BENEFITS

- Macerator with large capacity tank, ideal for larger volumes of water
- Easy replacement of an old model - identical pipe centres
- Easy maintenance thanks to access from the top of the unit

## CONNECTIONS

← Discharge diameter ext. : 22/28/32 mm

→ External inlet diameter : 40/100 mm

- Direct access to the basket in case of blockage due to improper use of the device without dismantling the device and without emptying the tank

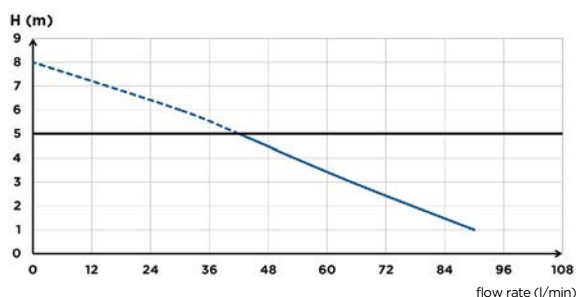


Single blade cutter

## PACK CONTAINS

Saniplus Up, non-return valve, connectors, activated carbon filter to neutralise odours

## CURVE



— recommended max height: 5 m

## TECHNICAL FEATURES

Number of inlets	4
External inlet diameter	40/100 mm
Discharge diameter ext.	22/28/32 mm
Max. incoming temperature	35°C
Min. shower tray height	130 mm
Voltage / Frequency	220-240 V / 50-60 Hz
Motor power	400 W
IP Rating	IP44
Electrical class	I
Noise level	46 dB(A)
<b>Identification and logistics</b>	
Gross weight	8 kg
EAN code	3308815074047
Product code	6003

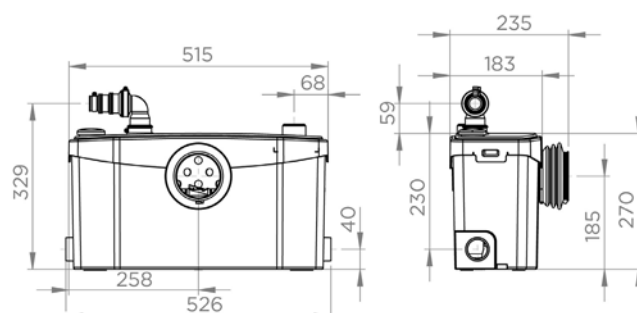
## OPTIONAL EXTRAS

Sanialarm  
Barcode: 3308810042799  
Product code: 1095



See page 27

## DIMENSIONS



# Sanislim



2.5 m  
40 m



See page 10

## PRODUCT BENEFITS

- Macerator that can take waste from a small bathroom despite its slimline dimensions
- Slimline modern design fits easily behind most WCs
- Inlets on either side of the unit for easy installation of an en-suite

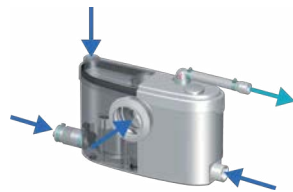
## CONNECTIONS

← External discharge diameter: 22/28/32 mm

→ External inlet diameter: 40/100 mm



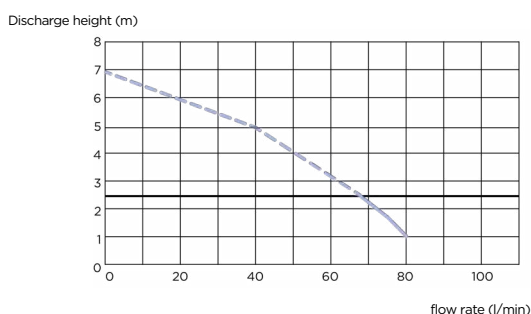
Single blade cutter



## PACK CONTAINS

Sanislim, non-return valve, connectors and activated carbon filter included to neutralise odours

## CURVE



— recommended max height: 2.5 m

## TECHNICAL FEATURES

Number of inlets	4
External inlet diameter	40/100 mm
External discharge diameter	22/28/32 mm
Shower tray height	150 mm
Max. incoming temperature	35°C
Voltage - Frequency	220-240 V - 50-60 Hz
Motor power	400 W
IP rating	IP44
Electrical class	I
Noise level	48 dB(A)
<b>Identification and logistics</b>	
Gross weight	5.8 kg
Barcode	3308819901394
Product code	1054/1

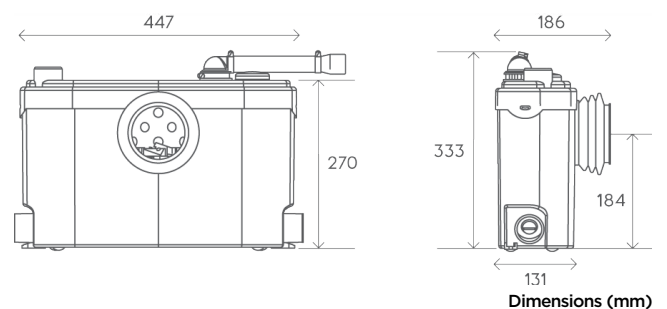
## OPTIONAL EXTRAS

Sanialarm  
Barcode: 3308810042799  
Product code: 1095



See page 27

## DIMENSIONS



# Sanibest Pro



7 m  
110 m



See page 10

## PRODUCT BENEFITS

- High performance macerator
- Suitable for commercial premises
- Can deal with occasional obstructions
- Easy maintenance with access from the top of the unit

## CONNECTIONS

← Discharge diameter ext. : 22/28/32 mm

→ External inlet diameter : 40/100 mm

- Access directly to the electrics via the lid



Pro X K2 grinder



## TECHNICAL FEATURES

Number of inlets	4
External inlet diameter	40/100 mm
Discharge diameter ext.	22/28/32 mm
Max. incoming temperature	35°C
Min. shower tray height	150 mm
Activation level	85 mm
Voltage / Frequency	220-240 V / 50-60 Hz
Motor power	1100 W
IP Rating	IP44
Electrical class	I
<b>Identification and logistics</b>	
Gross weight	12 kg
EAN code	3308815013039
Product code	1053

## PACK CONTAINS

Sanibest Pro, non-return valve, connectors, activated carbon filter included to neutralise odours

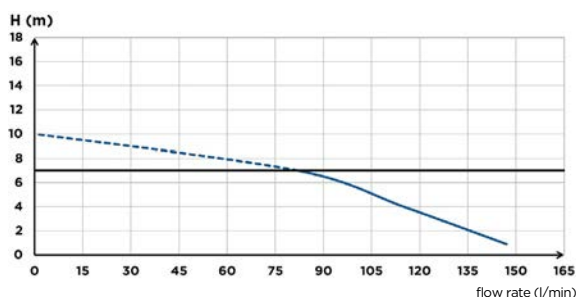
## OPTIONAL EXTRAS

Sanialarm  
Barcode: 3308810042799  
Product code: 1095



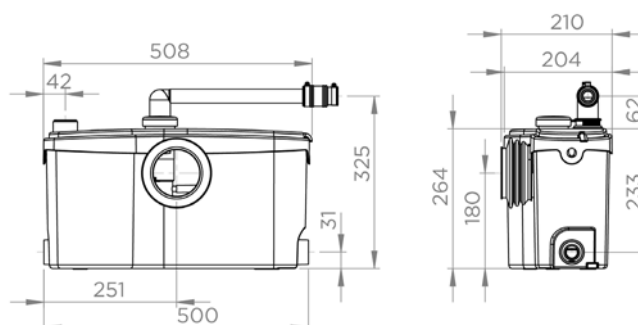
See page 27

## CURVE



— recommended max height: 7 m

## DIMENSIONS



# Saniwall Pro UP

Glass version



5 m  
100 m



See page 10

## PRODUCT BENEFITS

- The support frame and macerator solution for use with a wall-hung WC (not provided)
- Easy maintenance: double access to the product
- Perfectly integrated with an elegant and contemporary design for any bathroom décor
- Glass wall panel with flush plate included

## CONNECTIONS

← Discharge diameter ext. : 22/28/32 mm

→ External inlet diameter : 40/100 mm

- Direct access to the basket in case of blockage due to improper use of the device without dismantling the device and without emptying the tank

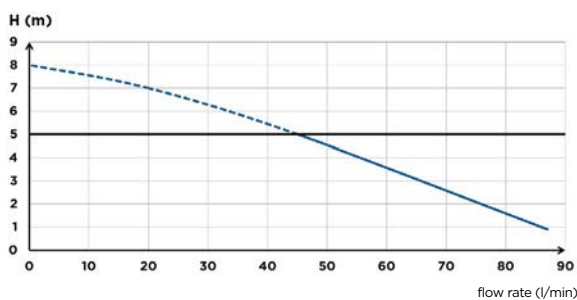


Single blade cutter

## PACK CONTAINS

Saniwall Pro Up, Grohe support frame, glass cladding, non-return valve, connectors

## CURVE

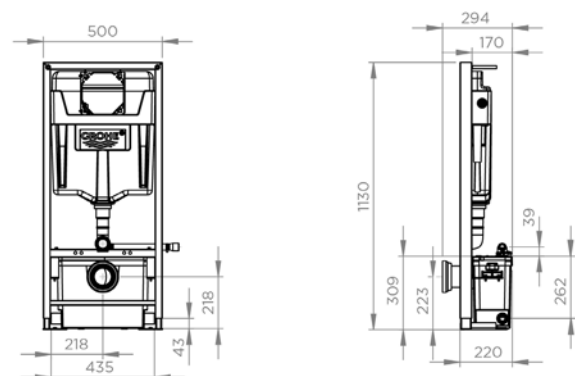


— recommended max height: 5 m

## TECHNICAL FEATURES

Number of inlets	3
External inlet diameter	40/100 mm
Discharge diameter ext.	22/28/32 mm
Max. incoming temperature	35°C
Min. shower tray height	130 mm
Voltage / Frequency	220-240 V / 50-60 Hz
Motor power	400 W
IP Rating	IP44
Electrical class	I
Noise level	47 dB(A)
<b>Identification and logistics</b>	
Gross weight	45 kg
EAN code	3308815074115
Product code	6110

## DIMENSIONS



# Saniwall Pro UP

Tiled version



5 m  
100 m



See page 10

## PRODUCT BENEFITS

- The support frame and macerator solution for use with a wall-hung WC (not provided)
- Easy maintenance: double access to the product
- Perfectly integrated with an elegant and contemporary design for tiled finish to incorporate any bathroom décor

## CONNECTIONS

← Discharge diameter ext. : 22/28/32 mm

→ External inlet diameter : 40/100 mm

- Direct access to the basket in case of blockage due to improper use of the device without dismantling the device and without emptying the tank

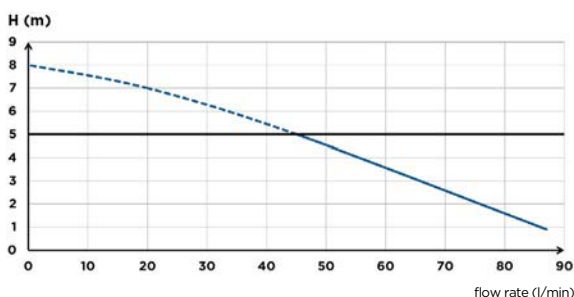


Single blade cutter

## PACK CONTAINS

Saniwall Pro Up, Grohe support frame, magnetic feet (tiled version), non-return valve, connectors

## CURVE

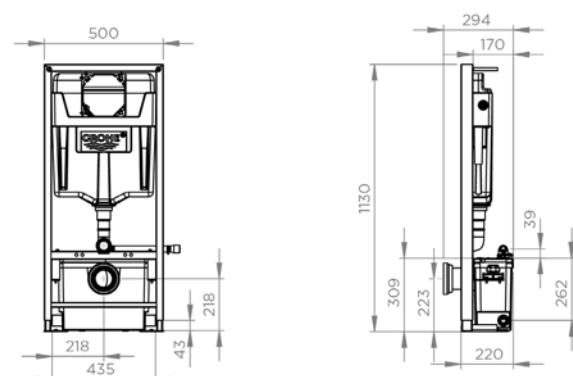


— recommended max height: 5 m

## TECHNICAL FEATURES

Number of inlets	3
External inlet diameter	40/100 mm
Discharge diameter ext.	22/28/32 mm
Max. incoming temperature	35°C
Min. shower tray height	130 mm
Voltage / Frequency	220-240 V / 50-60 Hz
Motor power	400 W
IP Rating	IP44
Electrical class	I
Noise level	47 dB(A)
<b>Identification and logistics</b>	
Gross weight	30 kg
EAN code	3308815076096
Product code	6111

## DIMENSIONS



# Sanipack Pro <sup>UP</sup>



5 m  
100 m



See page 10

## PRODUCT BENEFITS

- The macerator for wall-hung toilets that can be discreetly hidden from view
- Easy maintenance with double access to the product
- Allows for a complete shower room

## CONNECTIONS

← Discharge diameter ext. : 22/28/32 mm

→ External inlet diameter : 40/100 mm

- Direct access to the basket in case of blockage due to improper use of the device without dismantling the device and without emptying the tank

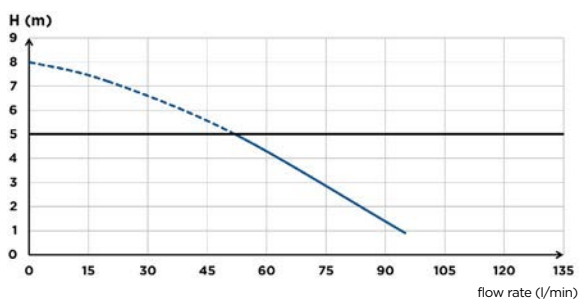


Single blade cutter

## PACK CONTAINS

Sanipack Pro Up, non-return valve, connectors, activated carbon filter included to neutralise odours

## CURVE

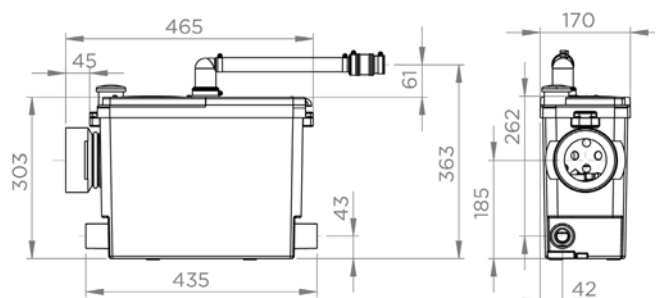


— recommended max height: 5 m

## TECHNICAL FEATURES

Number of inlets	3
External inlet diameter	40/100 mm
Discharge diameter ext.	22/28/32 mm
Max. incoming temperature	35°C
Min. shower tray height	130 mm
Installation in relation to the WC bowl	max. 50 cm
Voltage / Frequency	220-240 V / 50-60 Hz
Motor power	400 W
IP Rating	IP44
Electrical class	I
Noise level	47 dB(A)
<b>Identification and logistics</b>	
Gross weight	7 kg
EAN code	3308815074078
Product code	6052

## DIMENSIONS



# Saniaccess 1



5 m  
100 m



See page 10

## PRODUCT BENEFITS

- Basic macerator for a single WC
- Easy maintenance with double access to the product
- Ideal for rental properties
- Not suitable for replacement of a different Saniflo unit as inlet heights are different

## CONNECTIONS

← Discharge diameter ext. : 22/28/32 mm

→ External inlet diameter : 40/100 mm

- Direct access to the basket in case of blockage due to improper use of the device without dismantling the device and without emptying the tank

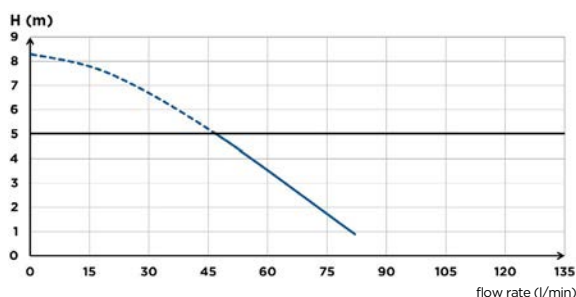


Single blade cutter

## PACK CONTAINS

Saniaccess unit, non-return valve, connectors, activated carbon filter included to neutralise odours

## CURVE

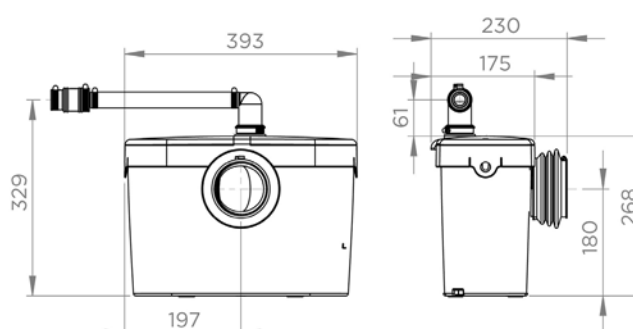


— recommended max height: 5 m

## TECHNICAL FEATURES

Number of inlets	1
External inlet diameter	40/100 mm
Discharge diameter ext.	22/28/32 mm
Max. incoming temperature	35°C
Activation level	95 mm
Voltage / Frequency	220-240 V / 50-60 Hz
Motor power	400 W
IP Rating	IP44
Electrical class	I
Noise level	46 dB(A)
<b>Identification and logistics</b>	
Gross weight	7 kg
EAN code	3308815013169
Product code	1900

## DIMENSIONS





# Saniaccess 2



5 m  
100 m



See page 10

## PRODUCT BENEFITS

- Macerator for WC and basin
- Easy maintenance with double access to the product
- Ideal for rental properties
- Not suitable for replacement of a different Saniflo unit as inlet heights are different

## CONNECTIONS

← Discharge diameter ext. : 22/28/32 mm

→ External inlet diameter : 40/100 mm

- Direct access to the basket in case of blockage due to improper use of the device without dismantling the device and without emptying the tank

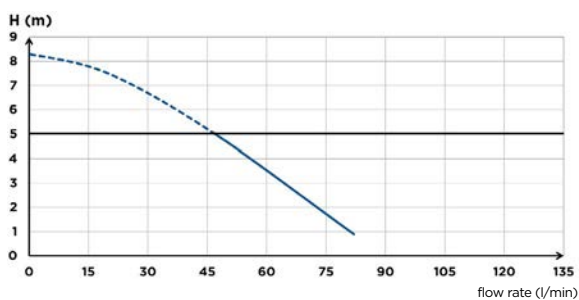


Single blade cutter

## PACK CONTAINS

Saniaccess unit, non-return valve, connectors, activated carbon filter included to neutralise odours

## CURVE

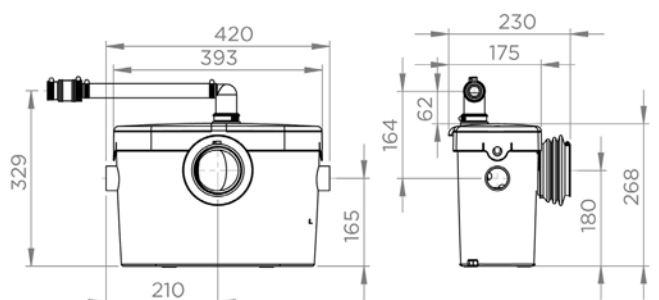


— recommended max height: 5 m

## TECHNICAL FEATURES

Number of inlets	3
External inlet diameter	40/100 mm
Discharge diameter ext.	22/28/32 mm
Max. incoming temperature	35°C
Activation level	95 mm
Voltage / Frequency	220-240 V / 50-60 Hz
Motor power	400 W
IP Rating	IP44
Electrical class	I
Noise level	46 dB(A)
<b>Identification and logistics</b>	
Gross weight	7 kg
EAN code	3308815013176
Product code	1901

## DIMENSIONS



# Saniaccess 3



5 m  
100 m



See page 10

## PRODUCT BENEFITS

- Macerator for full bathroom
- Easy maintenance with double access to the product
- Ideal for rental properties
- Not suitable for replacement of a different Saniflo unit as inlet heights are different

## CONNECTIONS

← Discharge diameter ext. : 22/28/32 mm

→ External inlet diameter : 40/100 mm

- Direct access to the basket in case of blockage due to improper use of the device without dismantling the device and without emptying the tank

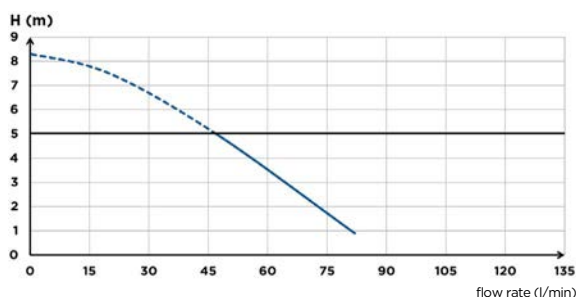


Single blade cutter

## PACK CONTAINS

Saniaccess unit, non-return valve, connectors, activated carbon filter included to neutralise odours

## CURVE

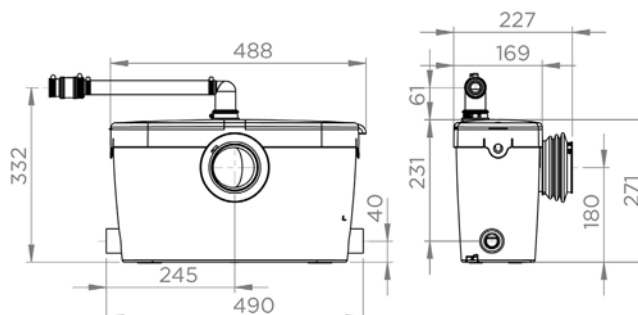


— recommended max height: 5 m

## TECHNICAL FEATURES

Number of inlets	4
External inlet diameter	40/100 mm
Discharge diameter ext.	22/28/32 mm
Max. incoming temperature	35°C
Min. shower tray height	150 mm
Activation level	95 mm
Voltage / Frequency	220-240 V / 50-60 Hz
Motor power	400 W
IP Rating	IP44
Electrical class	I
Noise level	46 dB(A)
<b>Identification and logistics</b>	
Gross weight	7 kg
EAN code	3308815013183
Product code	1902

## DIMENSIONS



# Descaler

To ensure the long life of your appliance, you are advised to regularly descale and clean the macerator and the toilet bowl.

This special sanitising cleaner and descaler is perfectly designed to descale your unit without harming any of the internal components.


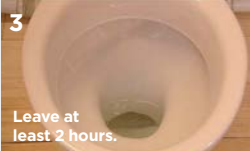

**Product code:** 1085



## 5 REASONS TO USE THE DESCALER:

- Specially designed to keep the rubber components intact
- A formula perfectly suited to small diameter pipework
- Product suitable for septic tanks
- Formula and dosage tested in laboratory
- Manufactured by Saniflo and is suitable for all our products

## HOW IS THE DESCALER USED?

<p><b>1</b> BEFORE USING THE DESCALER: <b>DISCONNECT THE ELECTRICITY SUPPLY TO THE MACERATOR.</b></p>	<p><b>2</b>  Put a dose of descaler in the bowl.</p>	<p><b>3</b>  Leave at least 2 hours.</p>	<p><b>4</b> <b>RECONNECT THE ELECTRICITY SUPPLY TO THE MACERATOR.</b></p>	<p><b>5</b>  Rinse by activating the flush twice.</p>
---	--	--	---	---

# Sanialarm

Security, reassurance and peace of mind...

## A UNIQUE CONCEPT

Occasional power outages, scaling of poorly maintained old appliances or problems with clogged pipes, cause a variation in the level of water permanently contained in a macerator or a Saniflo pump.

To provide a solution to this situation, a Sanialarm will provide an instant alert enabling you to take immediate action.

**Product code:** 1095






## HOW IT WORKS?

The alarm is fixed on the cover of the Saniflo device. It consists of a level pressure switch which automatically triggers the alarm when the water volume exceeds the maximum level allowed. The alarm then produces a sound until it is turned off and the problem solved.



Fits several models of the range of Saniflo macerators (old and current) as well as the SANISPEED<sup>+</sup> pump. The alarm works with 2 1.5V batteries (not supplied)

## EASILY SET UP THE ALARM


<p><b>1</b> </p>	<p><b>2</b> </p>	<p><b>3</b> </p>	<p><b>4</b> </p>	<p><b>5</b> </p>
<p>Insert 2 standard 1.5v batteries (not supplied) in the case.</p>	<p>Drill a hole 10mm in diameter at the location indicated on the cover of the device.</p>	<p>Coat with silicone grease before inserting the alarm pressure switch tube.</p>	<p>Fix the alarm in the opening of the tube.</p>	<p>Switch the alarm to the ON position.</p>

**BEFORE ANY HANDLING: DISCONNECT THE ELECTRICITY SUPPLY TO THE MACERATOR.**

# CORRECT SANIFLO INSTALLATION?

## CHECK OUT THE 10 GOLDEN RULES

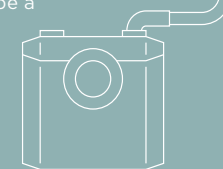
**1**



Discharge pipework should be copper or rigid solvent weld plastic, not 'pushfit'. 1% fall on horizontal runs.

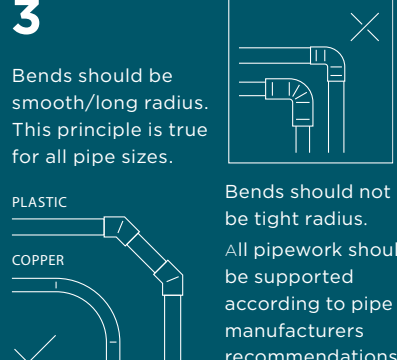
**2**

If a vertical lift is needed, this should be as close to the start of the run as is practically possible and from the highest point there must be a minimum 1% fall. The closer the vertical lift is to the machine, the more efficient the pump will be.



**3**

Bends should be smooth/long radius. This principle is true for all pipe sizes.

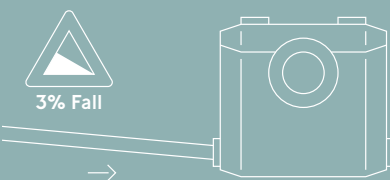


PLASTIC  
COPPER

Bends should not be tight radius. All pipework should be supported according to pipe manufacturers recommendations.

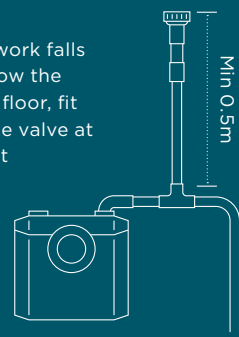
**4**

Pipes entering the Saniflo should have a gravity fall of 3%.



**5**

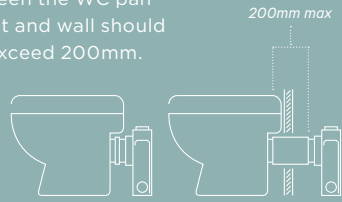
Where the pipework falls significantly below the unit e.g. a lower floor, fit an air admittance valve at the highest point capable of withstanding 10psi pressure, or increase pipe size coming down to 'break' syphon.



Min 0.5m

**6**

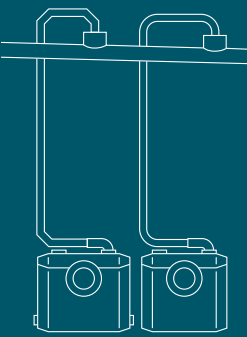
The unit should be easily accessible and removable in the event of maintenance being required. If boxed in, the boxing should be easily removed. Any extension between the WC pan spigot and wall should not exceed 200mm.



200mm max


**7**

Each Saniflo discharge pipe should run separately to the soil pipe. If wastes are combined, it can only be into a larger pipe, which is on a gravity fall.



**8**

Since many closed coupled WC suites do not have the space between the WC pan spigot and the wall, you may have to batten the cistern off the wall to make room for the Saniflo. However Sanislilm will fit behind most closed coupled WC suites without the need for this.



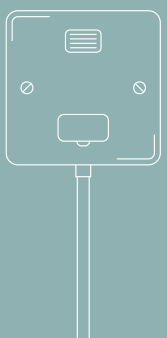
**9**



Position the Saniflo behind the toilet not beneath it.

**10**

Electrical connection should be via an unswitched fixed wiring connector with a 5 amp fuse for Domestic range macerators. Professional range may vary - check individual instruction manual.



Saniflo offer a complete range of pumps and macerators for all applications.

For further information please visit our website: [saniflo.co.uk](http://saniflo.co.uk)



Macerators may only be used in a dwelling where there is access to a gravity discharging WC (Building Regs G4).



## SANICOMPACT RANGE

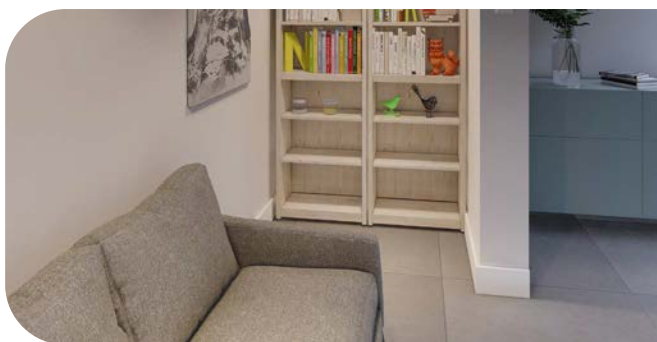
# The Sanicompact and Saniflush are toilets with built-in macerators.

The Sanicompact is a ceramic WC, small in design without a cistern but, as you can add a basin it is perfect for a smaller cloakroom.

The Saniflush is a ceramic toilet with cistern and built-in macerator, again a washbasin can be added for a cloakroom application.

Both the Sanicompact and Saniflush have a water saving push button flush system and a soft close toilet seat. The Sanicompact requires dynamic pressure of 1.7 bar water supply and ideally the basin should be connected to the right of the WC. Installation of these products can affect the noise level.

BEFORE



AFTER

# Sanicompact



3 m  
30 m



See page 10

## PRODUCT BENEFITS

- Ultra-compact toilet with built-in macerator\*
- Has a depth of just 430 mm
- Able to add a wash basin to this small WC for a cloakroom
- Flow rate >100 l/min and requires a minimum dynamic pressure of 1.7 bar water supply

\*Due to the compact nature of this unit it may activate during use.

## CONNECTIONS

← Discharge diameter ext. : 32 mm

→ External inlet diameter : 40 mm



Multi-cutter disc



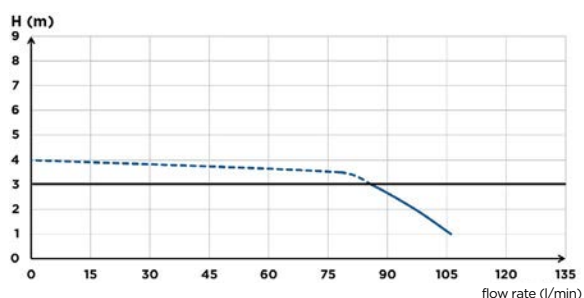
## TECHNICAL FEATURES

Number of inlets	1
External inlet diameter	40 mm
Discharge diameter ext.	32 mm
Max. incoming temperature	35°C
Flush volume	1.8/3 L
Voltage / Frequency	220-240 V / 50-60 Hz
Motor power	550 W
IP Rating	IP44
Electrical class	I
Noise level	51 dB(A)
<b>Identification and logistics</b>	
Gross weight	25 kg
EAN code	3308815025346
Product code	1081

## PACK CONTAINS

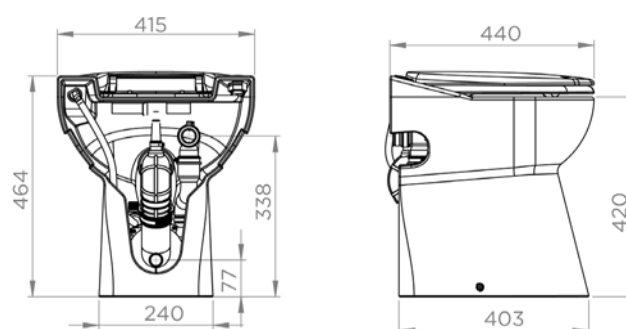
Sanicompact, non-return valve, floor fixings

## CURVE



— recommended max height: 3 m

## DIMENSIONS



# Saniflush



5 m  
100 m



See page 10

## PRODUCT BENEFITS

- Classic design with traditional bowl base
- Easy to clean design
- Easy access to the macerator by sliding the ceramic back
- Spiral flush system 3 - 6 l

## CONNECTIONS

← Discharge diameter ext. : 32 mm

→ External inlet diameter : 40 mm



Single blade cutter



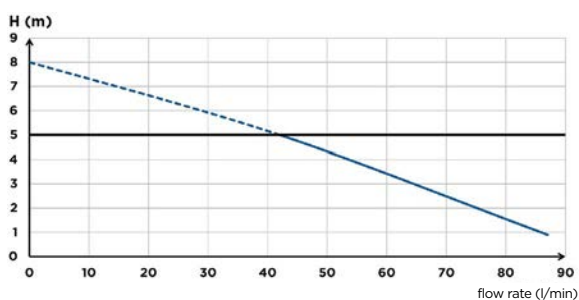
## TECHNICAL FEATURES

Number of inlets	2
External inlet diameter	40 mm
Discharge diameter ext.	32 mm
Max. incoming temperature	35°C
Min. shower tray height	150 mm
Flush volume	3/6 L
Voltage / Frequency	220-240 V / 50-60 Hz
Motor power	400 W
IP Rating	IP44
Electrical class	I
Noise level	46 dB(A)
<b>Identification and logistics</b>	
Gross weight	56 kg
EAN code	3308815082417
Product code	1089

## PACK CONTAINS

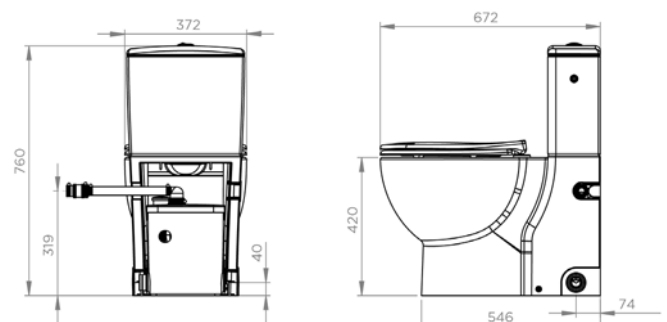
Saniflush, non-return valve, floor fixings included

## CURVE



— recommended max height: 5 m

## DIMENSIONS





## GREY WATER PUMPS

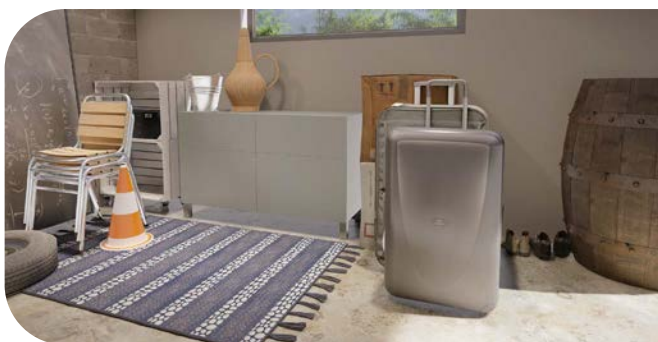
# Saniflo has a wide range of grey water lifting solutions that are easy to install.

Among them the Sanipump range, which is ideal for creating a new bathroom, kitchen or laundry room where grey water needs to be removed, without having to carry out major building work.

The Saniflo lifting pumps allow you to create a new room wherever you want in the house, even in the absence of gravity drainage.

Easy to install, these small size pumps can be placed inside a cabinet. They are very quiet and an ideal solution to add an additional sink, basin, shower etc to a loft, spare room or garage. In fact, it is estimated that creating additional facilities increases the value of a property on average by almost 10%.

BEFORE





AFTER





# Grey water pumps

	 Shower	 Tray	 Tray to be tiled	 Shower cubicle	 Bidet	 Basin	 Bath	 Washing machine	 Dish washer	 Sink	 Urinal
 <p><b>Sanishower Flat</b> Pump and waste for flat shower tray p.35</p>		•		•		•					
 <p><b>Sanifloor+ 1</b> Walk-in shower: pump and drain for tiled floors p.36</p>	•										
 <p><b>Sanifloor+ 2</b> Walk-in shower: pump and drain for vinyl floors p.37</p>	•										
 <p><b>Sanifloor+ 3</b> Walk-in shower: pump and drain for shower trays p.37</p>	•										
 <p><b>Sanifloor+ 4 Wedi®</b> Walk-in shower: pump and drain for Wedi® tiled shower trays p.37</p>			•								
 <p><b>Sanishower+</b> Pump suitable for classic shower tray p.38</p>		•		•	•	•					
 <p><b>Sanispeed+</b> Pump suitable for installation of a laundry room or kitchen (can be used in commercial situations) p.39</p>		•		•	•	•	•	•	•	•	•
 <p><b>Sanivite+</b> Pump suitable for a kitchen p.40</p>		•		•	•	•	•	•	•	•	
 <p><b>Saniaccess Pump</b> Grey water domestic pump with low maintenance costs p.41</p>		•		•	•	•	•	•	•	•	

- MULTIPLE POSSIBILITIES, EASY TO INSTALL AND CAN BE USED IN SMALL SPACES
- A BATHROOM, A LAUNDRY ROOM, UTILITY ROOM OR KITCHEN WITHOUT MAJOR BUILDING WORK

## INSTALLING A GREY WATER PUMP

To install a bathroom, kitchen or laundry room, anything is possible with a **Saniflo pump**.

You can choose a new en-suite, a utility room a shower room or a small cloakroom without major works, all you need is 22/28/32 mm pipework and an electrical socket and a Saniflo can be installed.

### Installing a bathroom or utility room

To create a bathroom, en-suite, utility room or kitchen all you need to do is choose the right pump for the application and equipment you plan to have in the room. Grey water pumps can take the waste water from laundry rooms, kitchens or utility rooms, showers, sinks and washbasins. If you need to include a WC then you will need a Saniflo range pump instead or as well.

#### BEFORE



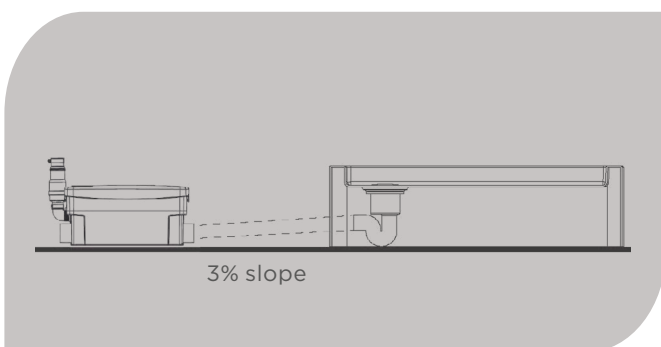
#### AFTER



### Installing a pump for a shower

The installation for a shower pump needs to be correct and follow the installation guide to ensure the flow from the drain to the pump is right.

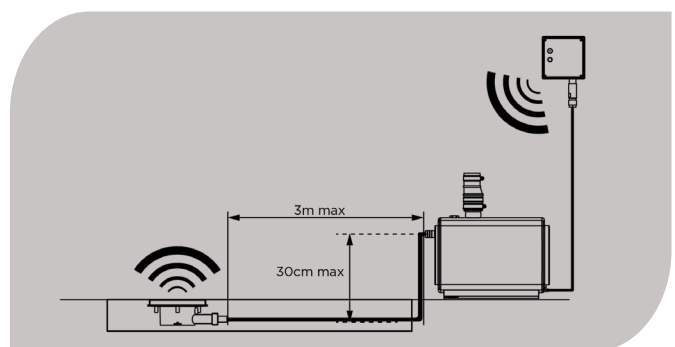
#### SLOPING INSTALLATION



#### Sanishower+

In order for the Sanishower + to work correctly and remove all the water from a shower, it is necessary to have a slope of 3% between the waste and entry into the pump.

#### FLAT INSTALLATION



#### Sanifloor+

Due to its wireless detection suction pump, Sanifloor + can be installed without a slope from the waste to the pump.

# Sanishower Flat



3 m  
30 m



See page 10

## PRODUCT BENEFITS

- Pump and waste for low level shower tray (80 mm)
- Small pump for discreet installation
- Low level waste compatible with most shower trays

## CONNECTIONS

- ← Discharge diameter ext. : 22/32 mm
- External inlet diameter : 32 (shower), 40 (sink) mm



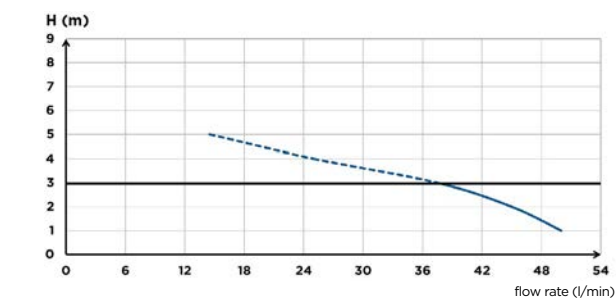
## PACK CONTAINS

Sanishower Flat, waste, non-return valve, connectors

## TECHNICAL FEATURES

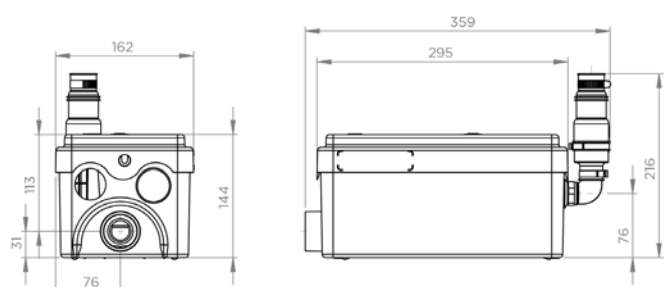
Number of inlets	2
External inlet diameter	32 (shower), 40 (sink) mm
Discharge diameter ext.	22/32 mm
Max. incoming temperature	35°C
Min. shower tray height	80 mm
Activation level	30 mm
Voltage / Frequency	220-240 V / 50-60 Hz
Motor power	250 W
IP Rating	IP44
Electrical class	I
<b>Identification and logistics</b>	
Gross weight	5 kg
EAN code	3308815061016
Product code	1043/3

## CURVE



— recommended max height: 3 m

## DIMENSIONS



# Sanifloor +



3 m  
30 m



See page 10

## PRODUCT BENEFITS

- Wireless communication between pump and waste
- Easy maintenance: removable and cleanable hair drain
- Simple maintenance: replaceable detection module

## FUNCTIONING PRINCIPLES

The water entering the gully automatically activates the pump using an internal drain detection system. The water is then sucked up and pumped towards the main pipe.

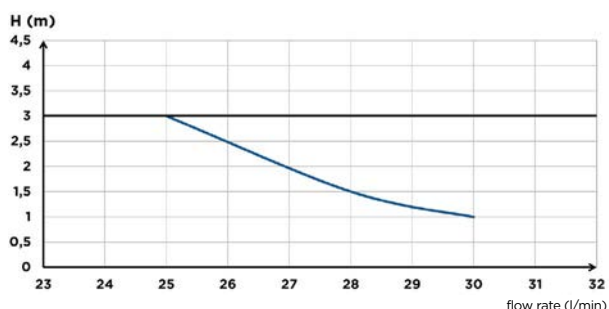
## TECHNICAL FEATURES

	Sanifloor+ 1	Sanifloor+ 2	Sanifloor+ 3	Sanifloor+ 4
Number of inlets	1			
External inlet diameter	16 mm			
Discharge diameter ext.	32 mm			
Voltage / Frequency	220-240 V / 50-60 Hz			
Motor power	400 W			
IP Rating	IP44			
Electrical class	I			
<b>Identification and logistics</b>				
Gross weight	8 kg			8.5 kg
EAN code	3308815076232	3308815076249	3308815076164	3308815076256
Product code	6154	6155	6156	6158

## PACK CONTAINS

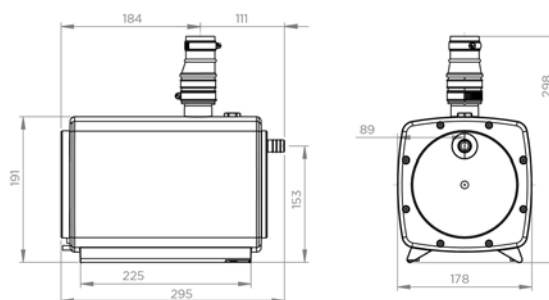
Sanifloor + pump and waste, non-return valve, floor fixings, 3 m steel spiral hose

## CURVE



— recommended max height: 3 m

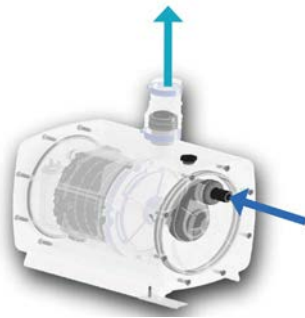
## DIMENSIONS



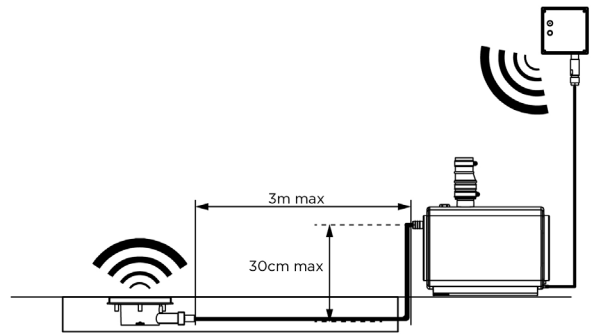
## CONNECTIONS

← Discharge diameter ext. : 32 mm

→ External inlet diameter : 16 mm

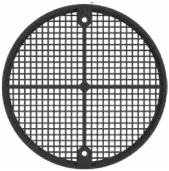


## INSTALLATION DIAGRAM



### Sanifloor+ 1

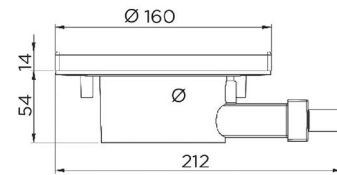
For tiled floors



Removable hair drain



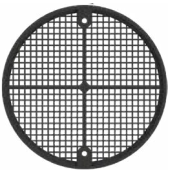
Barcode: 3308815076232



Product code: 6154

### Sanifloor+ 2

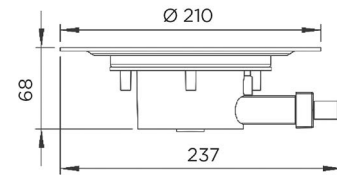
For vinyl floors



Removable hair drain



Barcode: 3308815076249



Product code: 6155

### Sanifloor+ 3

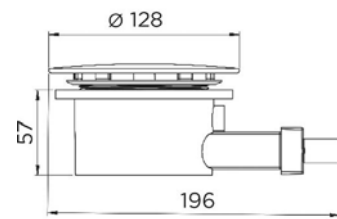
For shower trays



Removable hair drain



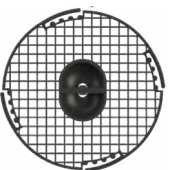
Barcode: 3308815076164



Product code: 6156

### Sanifloor+ 4

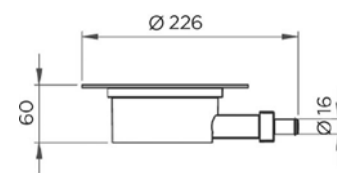
For Wedi® former for tiling



Removable hair drain



Barcode: 3308815076256



Product code: 6158

# Sanishower +



5 m  
50 m



See page 10

## PRODUCT BENEFITS

- Pump suitable for shower trays
- Versatile unit with inlets on each side
- Low activation level
- Small pump that can be easily hidden from view

## CONNECTIONS

← Discharge diameter ext. : 22/32 mm

→ External inlet diameter : 40 mm



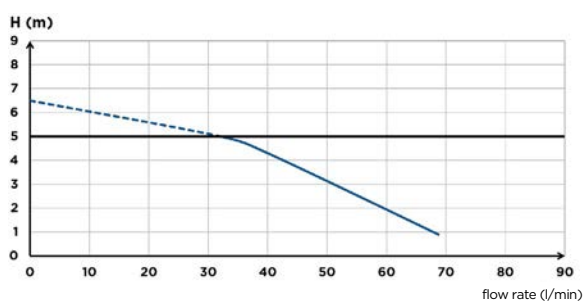
## PACK CONTAINS

Sanishower +, non-return valve, connectors, activated carbon filter included to neutralise odours.

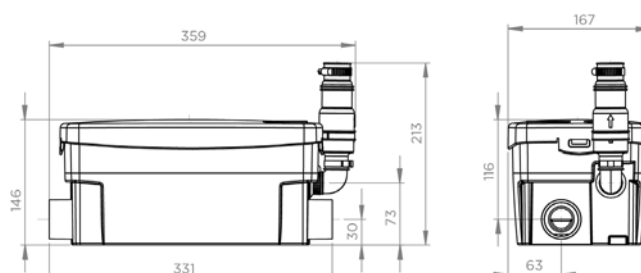
## TECHNICAL FEATURES

Number of inlets	2
External inlet diameter	40 mm
Discharge diameter ext.	22/32 mm
Max. incoming temperature	35°C
Min. shower tray height	120 mm
Activation level	65 mm
Voltage / Frequency	220-240 V / 50-60 Hz
Motor power	250 W
IP Rating	IP44
Electrical class	I
Noise level	40 dB(A)
<b>Identification and logistics</b>	
Gross weight	5 kg
EAN code	3308815074030
Product code	6043

## CURVE



## DIMENSIONS



# Sanispeed +



7 m  
70 m



See page 10

## PRODUCT BENEFITS

- Pump suitable for commercial kitchen installation
- Low activation level
- Compatible with water softeners

## CONNECTIONS

← Discharge diameter ext. : 32 mm

→ External inlet diameter : 40 mm



## TECHNICAL FEATURES

Number of inlets	4
External inlet diameter	40 mm
Discharge diameter ext.	32 mm
Max. incoming temperature	75°C intermittently (max. 5 min)
Min. shower tray height	150 mm
Activation level	95 mm
Voltage / Frequency	220-240 V / 50-60 Hz
Motor power	400 W
IP Rating	IP44
Electrical class	I
Noise level	42 dB(A)
<b>Identification and logistics</b>	
Gross weight	7 kg
EAN code	3308815074054
Product code	6045

## PACK CONTAINS

Sanispeed +, non-return valve, connectors, activated carbon filter included to neutralise odours

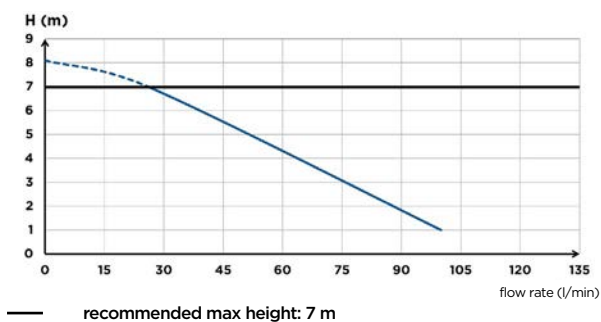
## OPTIONAL EXTRAS

Sanialarm  
Barcode: 3308810042799  
Product code: 1095

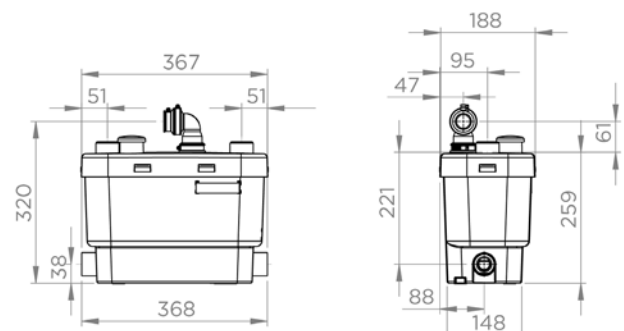


See page 27

## CURVE



## DIMENSIONS



# Sanivite +



5 m  
50 m



See page 10

## PRODUCT BENEFITS

- Pump suitable for installing in a kitchen or utility room
- Low noise level
- Low activation level
- Activated carbon filter included

## CONNECTIONS

← Discharge diameter ext. : 32 mm

→ External inlet diameter : 40 mm



## TECHNICAL FEATURES

Number of inlets	4
External inlet diameter	40 mm
Discharge diameter ext.	32 mm
Max. incoming temperature	60°C intermittently (max. 5 min)
Min. shower tray height	150 mm
Activation level	95 mm
Voltage / Frequency	220-240 V / 50-60 Hz
Motor power	400 W
IP Rating	IP44
Electrical class	I
Noise level	42 dB(A)
<b>Identification and logistics</b>	
Gross weight	6 kg
EAN code	3308815074085
Product code	6004

## PACK CONTAINS

Sanivite +, non-return valve, connectors, activated carbon filter included to neutralise odours

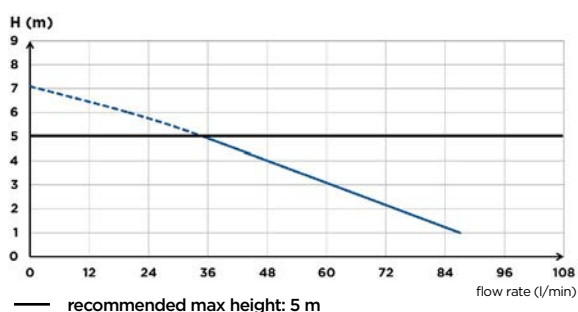
## OPTIONAL EXTRAS

Sanialarm  
Barcode: 3308810042799  
Product code: 1095

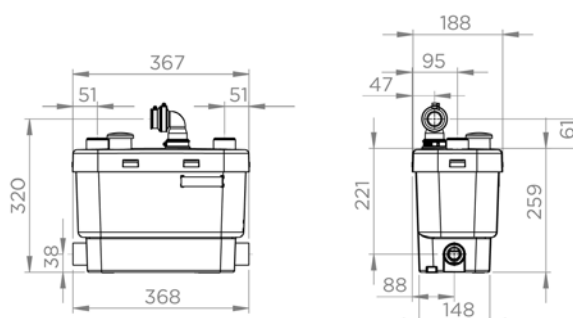


See page 27

## CURVE

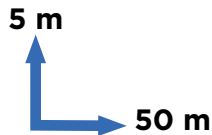


## DIMENSIONS





# Saniaccess Pump



See page 10

## PRODUCT BENEFITS

- Domestic pump for grey water
- Easy maintenance: double access to the product
- Ideal for rental properties

## CONNECTIONS

← Discharge diameter ext. : 32 mm

→ External inlet diameter : 40 mm



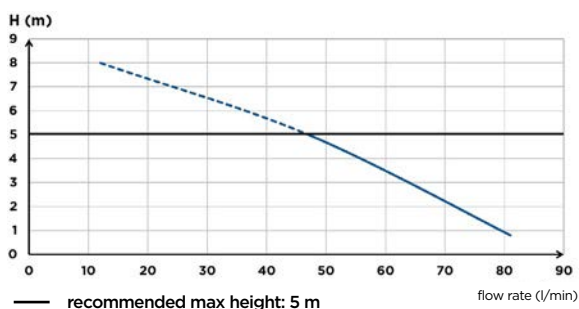
## PACK CONTAINS

Saniaccess Pump, non-return valve, connectors, activated carbon filter included to neutralise odours

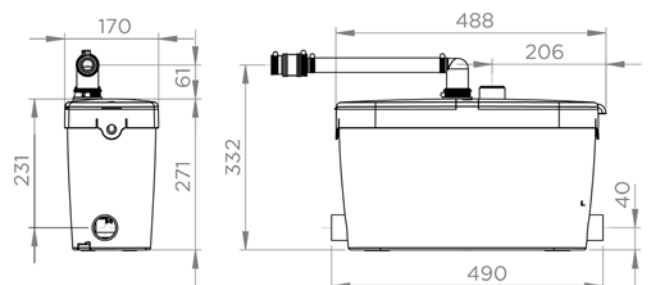
## TECHNICAL FEATURES

Number of inlets	3
External inlet diameter	40 mm
Discharge diameter ext.	32 mm
Max. incoming temperature	75°C intermittently (max. 5 min)
Min. shower tray height	150 mm
Activation level	95 mm
Voltage / Frequency	220-240 V / 50-60 Hz
Motor power	400 W
IP Rating	IP44
Electrical class	I
Noise level	46 dB(A)
<b>Identification and logistics</b>	
Gross weight	7 kg
EAN code	3308815013190
Product code	1903

## CURVE



## DIMENSIONS



# SANIFLO IS HERE TO SUPPORT YOU

## OUR AFTER SALES SERVICE



We have a network of:  
Registered service  
engineers who  
are able to come  
to your home and  
business and assist  
with any servicing or  
maintenance issues



In addition,  
our in-house  
customer service  
team is happy to  
advise over the  
phone, email or  
via our website  
**[saniflo.co.uk](http://saniflo.co.uk)**

**Do you have a technical question?**

Contact us on: 020 8842 0033 or  
by email: [technical@saniflo.co.uk](mailto:technical@saniflo.co.uk)

## SUBMERSIBLE PUMPS

The range of SFA submersible or cellar pumps can be used for various needs, from flooding, to cellar or garage use, Saniflo has a range of pumps to suit various site situations.

SFA developed its know-how in the field of lifting water and macerators and has now added cellar pumps to its collection.

Saniflo also has a range of submersible pumps for more commercial applications (see separate brochure).

BEFORE AFTER



FOR  
INDIVIDUAL USE

Small homes and  
detached houses



Sanipuddle  
FSP



Sanisub  
400

RAINWATER

For flood water



Sanisub Steel  
and emergency kit

# Sanipuddle

Sanipuddle is a submersible pump with handling capacity down to 1 mm of water, designed to lift clear water or rain water from cellars, laundries, swimming pool floors, spas or lift shafts etc. Sanipuddle can lift water up to 7 m. Non-return valve and power cable included. An electronic level control level is available as an option.



7 m



See page 10

## PERFORMANCES

- Max. head : 7 m
- Max. flow rate : 5.5 m<sup>3</sup>/h

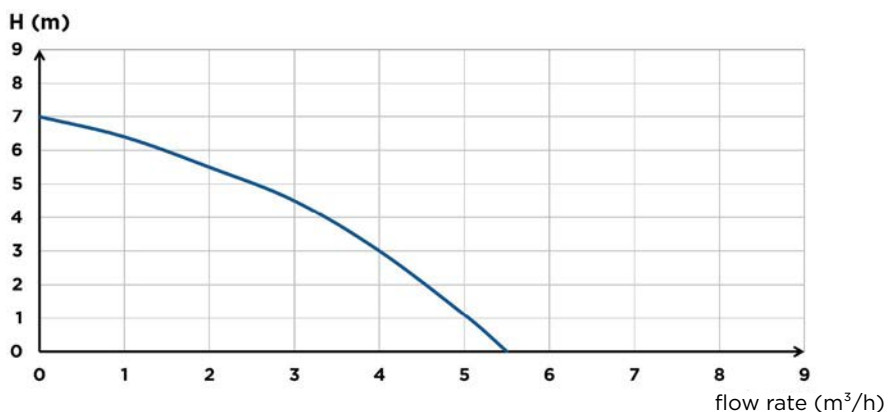
## PRODUCT BENEFITS

- High-quality polypropylene and stainless steel pump
- Drains down to 1 mm of water
- Double mechanical seal
- Integrated non-return valve

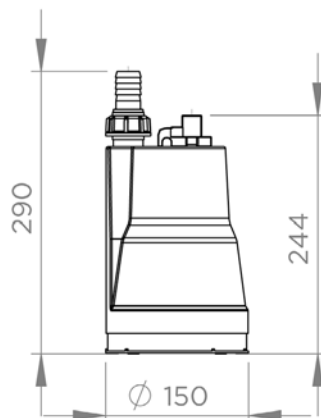
## PACK CONTAINS

Sanipuddle pump, supply cable (10m), non-return valve

## CURVE



## DIMENSIONS



TECHNICAL FEATURES	Sanipuddle
<b>Material</b>	
Shaft	Stainless steel
Pump housing	PP GF
Waterproofing	carbon/ceramic/NBR
Motor housing	Stainless steel
Impeller	PA 6 GF
<b>Electrical features</b>	
Voltage (V)	230
Frequency (Hz)	50-60
Power consumption P1 (W)	300
Power output P2 (W)	160
Revolutions per minute (RPM)	2800
Electrical class	I
Immersion depth (m)	5
Power cable : Length (m)	10
<b>Hydraulics</b>	
Max. Head (m)	7
Max. flow rate (m <sup>3</sup> /h)	5.5
Discharge diameter G (inch)	1
Particle size (mm)	1
Max. temperature of the pumped liquid (5 min)	70°C
Type of impeller	multi-channel
Type of activation	manual
<b>Identification and logistics</b>	
Gross weight (kg)	3.77
EAN code	3308815081427
Product code	13187

## OPTIONAL EXTRAS

Electronic level control for Sanipuddle



The electronic level controller is used for regulating the level of fluids in tanks or pits when precise control is required or when the level of fluids must be very low. It consists of 4 stainless steel electrodes, an electrode holder, a mounting bracket, a 10 m cable and a plug-in control adapter.

Barcode: 3308815083025  
Product code: 11414

# Sanisub 400

Sanisub 400 is a submersible clear water pump for flood water from buildings, homes or cellars. It can lift water up to 7.5 m. It is triggered automatically by an integrated lever float. Versatile, it can be transformed into a low suction pump for residual water by using its removable drain and the float lock for continuous operation.



7.5 m



See page 10

## PERFORMANCES

- Max. head : 7.5 m
- Max. flow rate : 7 m<sup>3</sup>/h

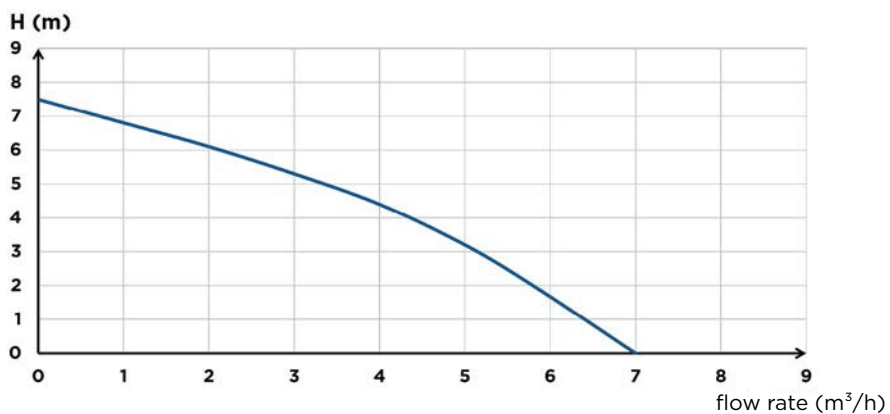
## PACK CONTAINS

Sanisub 400 pump, supply cable (10 m), 90° connection elbow, non-return valve

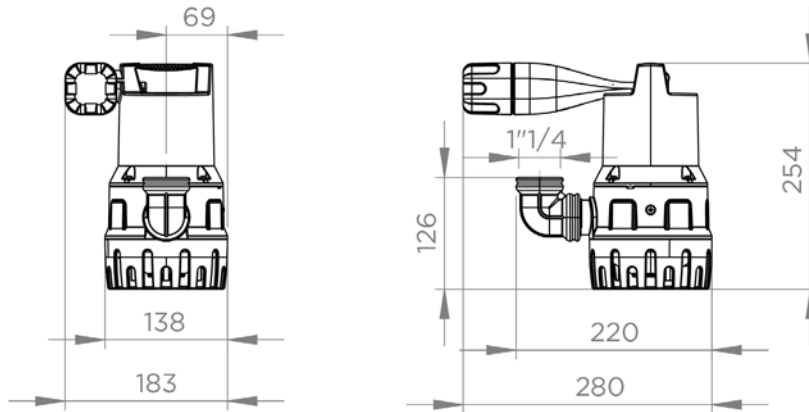
## PRODUCT BENEFITS

- Automatic activation
- 7 m immersion depth
- 5 mm suction without drain
- 10 mm particle size
- Integrated non-return valve
- Float lock ring included

## CURVE



**DIMENSIONS**



TECHNICAL FEATURES	Sanisub 400
<b>Material</b>	
Shaft	Stainless steel
Pump housing	PP GF
Waterproofing	NBR
Motor housing	Stainless steel
Impeller	PA 6 GF
<b>Electrical features</b>	
Voltage (V)	230
Frequency (Hz)	50-60
Power consumption P1 (W)	400
Power output P2 (W)	180
Revolutions per minute (RPM)	2800
Electrical class	I
Immersion depth (m)	7
Power cable : Length (m)	10
<b>Hydraulics</b>	
Max. Head (m)	7.5
Max. flow rate (m <sup>3</sup> /h)	7
Discharge diameter G (inch)	1 1/4
ON Level /OFF level (mm)	200/50
Particle size (mm)	10
Max. temperature of the pumped liquid (5 min)	70°C
Type of impeller	multi-channel
Type of activation	float
<b>Identification and logistics</b>	
Gross weight (kg)	4.6
EAN code	3308815081632
Product code	33101

# Sanisub Steel and Emergency Kit

Sanisub Steel is a vacuum pump designed for the removal of lightly contaminated water: ponds, tanks and flooded cellars. Sanisub Steel is a stainless steel pump with optimised cooling. This pump can lift water up to 7.5 m with a particle size of 10 mm and a maximum temperature of 75°C. The emergency kit includes a basket with fixing kit, a 15 m discharge hose and quick couplings.



7.5 m



See page 10

## PERFORMANCES

- Max. head : 7.5 m
- Max. flow rate : 9 m<sup>3</sup>/h

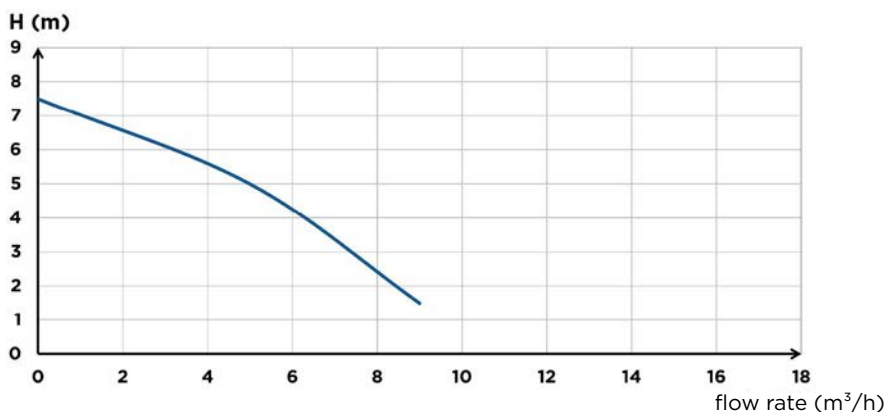
## PACK CONTAINS

Sanisub Steel pump, basket with fixing kit, 15 m drain hose with quick couplings, hose support, supply cable (10 m)

## PRODUCT BENEFITS

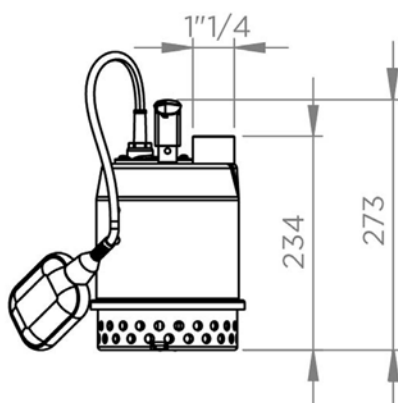
- 10 mm particle size
- 7.5 m lifting height
- Optimised cooling
- Automatic activation by float
- Sanisub steel pump available without emergency kit (Code 33102)
- Easy to store: basket comes with a cover

## CURVE





## DIMENSIONS



TECHNICAL FEATURES	Sanisub Steel and Emergency Kit
<b>Material</b>	
Shaft	Stainless steel
Pump housing	EN-GJL-200
Waterproofing	carbon/ceramic
Motor housing	Stainless steel
Impeller	PA 6 GF
<b>Electrical features</b>	
Voltage (V)	230
Frequency (Hz)	50-60
Power consumption P1 (W)	450
Power output P2 (W)	203
Revolutions per minute (RPM)	2800
Electrical class	I
Motor insulation class	F
Immersion depth (m)	5
Power cable : Length (m)	10
<b>Hydraulics</b>	
Max. Head (m)	7.5
Max. flow rate (m <sup>3</sup> /h)	9
Discharge diameter G (inch)	1 1/4
Particle size (mm)	10
Max. temperature of the pumped liquid (5 min)	70°C
Type of impeller	multi-channel
Type of activation	float
<b>Identification and logistics</b>	
EAN code	3308815082639
Product code	33103

## OPTIONAL EXTRAS

### Sanisub Steel 50A



Sanisub Steel is a cellar pump designed for lifting clear, lightly contaminated water: basins, tanks and flooded cellars. Sanisub Steel is a stainless steel pump with optimised cooling. This pump can lift water up to 7.5 m with a grain size of 10 mm and a maximum temperature of 75°C. It is available as an emergency kit including a basket with a fixing kit, a 15 m discharge hose and quick couplings.

Barcode: 3308815083162  
Product code: 33102



## SANICLIM RANGE

Air conditioners generate acidic condensates which it may be necessary to remove.

**Saniflo offers a range of quiet and efficient solutions for removing condensates from air conditioners.**

**Make sure the pump is suitable for your air conditioner:**

**It is generally accepted that the volume of condensate water to be discharged is approximately 0.5 to 0.8 l/h per kW refrigerated (this value can increase sharply in areas with very high humidity).**

So, for example, for a 5 kW air conditioner, the volume of condensate to be drained will be 2.5 to 4 l/h.

**To achieve the best installation for your air conditioner, it is important to take into account the pressure drops: the suction height, the vertical discharge height and finally the horizontal discharge length.**





# Air conditioning condensate pumps

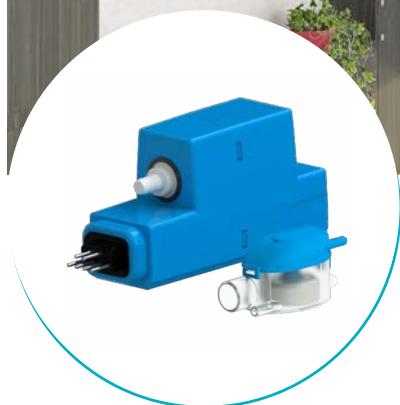
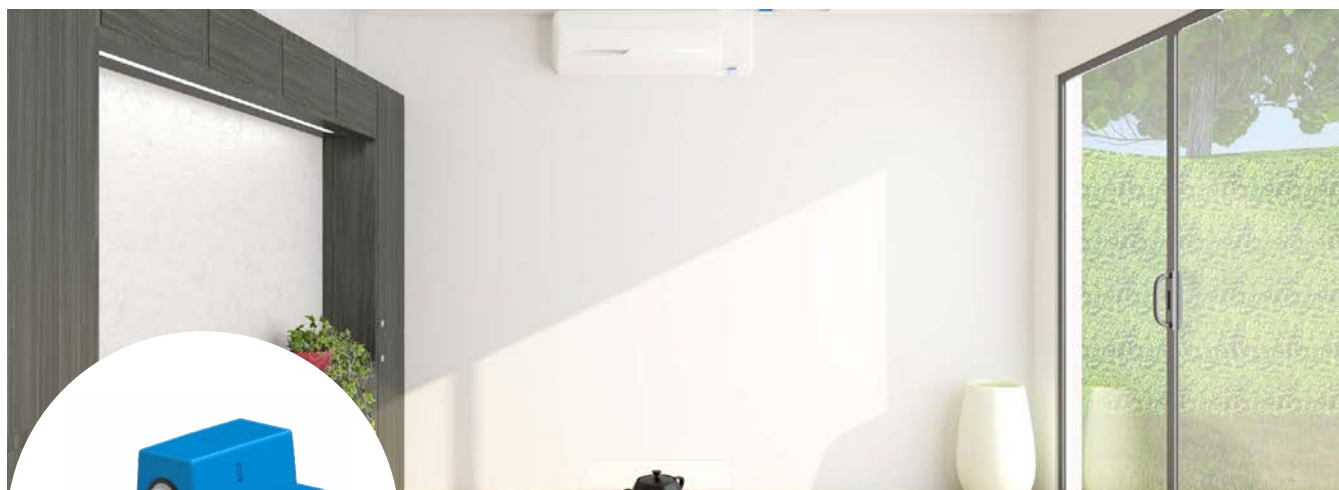
			 Climatiseur	 Refrigerated display case
	<b>Sanicondens Clim Mini</b> A large capacity for a discreet installation	<b>P.52</b>	MAXIMUM <b>8 kW</b>	•
	<b>Sanicondens Clim Pack</b> A compact and complete solution	<b>P.53</b>	MAXIMUM <b>8 kW</b>	•
	<b>Sanicondens Clim Deco</b> Easy access for maintenance	<b>P.54</b>	MAXIMUM <b>10 kW</b>	•
	<b>Sanicondens Clim Maxi</b> A powerful compact solution	<b>P.55</b>	MAXIMUM <b>30 kW</b>	•

Vertical suction in metres (A)	Vertical discharge in metres (B)	Horizontal discharge in metres (C)			
		5	10	20	30
0	1	10.4	9.1	8.3	7.3
	2	8.9	7.8	7.0	6.4
	3	7.9	7.1	6.3	5.8
	4	7.0	6.0	5.3	4.9
1	1	8.9	8.3	7.5	5.9
	2	7.8	7.3	6.7	6.1
	3	6.9	6.7	5.7	5.4
	4	5.9	5.5	4.9	4.4
1.5	1	7.8	7.6	6.9	6.5
	2	7.1	6.6	6.2	5.7
	3	6.5	5.7	5.1	4.8
	4	5.5	4.8	4.2	3.9

Table of flows in litres/hour (+/- 10%)

- SMALL UNITS FOR DISCREET INSTALLATION
- QUIET OPERATION
- LIFTING PERFORMANCE: UP TO 6 M
- FIXING KIT FOR EASY ASSEMBLY

# Sanicondens Clim Mini



6 m  
↑



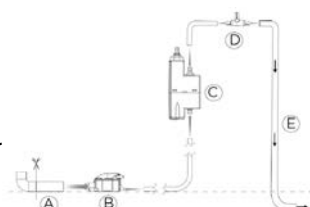
See page 10

## PRODUCT BENEFITS

- Compact unit for discreet installation
- Low noise level, only 21 dB(A)
- Safety system with thermal protector and overflow alarm
- Easy to check, transparent base

## INSTALLATION DIAGRAM

- (A) Condensate tank
- (B) Level sensor
- (C) Pump unit
- (D) Anti-siphoning vacuum breaker
- (E) Waste water pipe



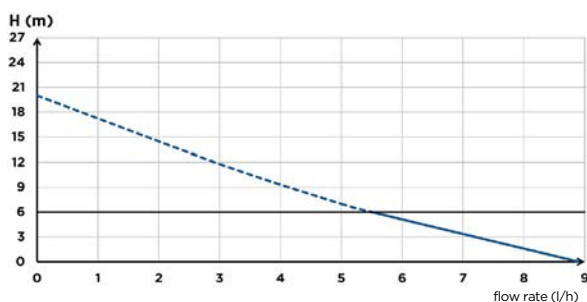
## TECHNICAL FEATURES

Max. power of the boiler	8 kW
Inlet diameter DN	16 mm
Discharge diameter DN	6 mm
Max. flow rate	9 l/h +/-15%
Max. incoming temperature	35°C
Max. suction distance between the detection bloc and the pump	2 m
Voltage / Frequency	220-240 V / 50-60 Hz
Max. power consumption	22 W
IP Rating	IP24
Noise level	21 dB(A)
<b>Identification and logistics</b>	
EAN code	3308815083520
Product code	1131

## PACK CONTAINS

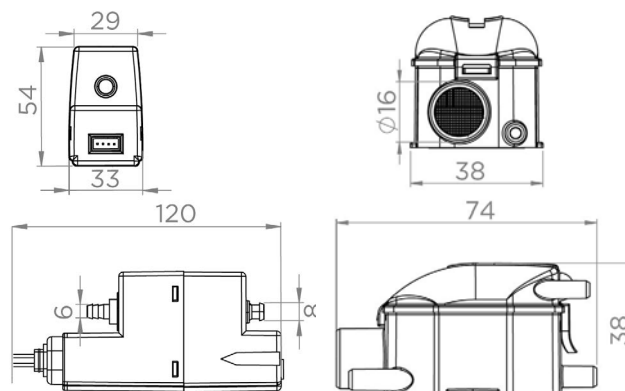
Sanicondens Clim mini pump, detection unit, flexible hose (1.2 m), mounting bracket, vent tube, power cable supplied

## CURVE



— recommended max height: 6 m

## DIMENSIONS



# Sanicondens Clim Pack



6 m  
↑



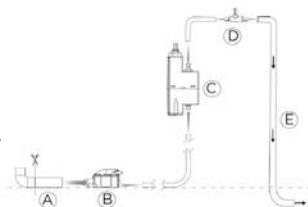
See page 10

## PRODUCT BENEFITS

- Complete solution for neat installation
- Easy installation, fixing and connection accessories are included
- Reversible plate for right or left installation

## INSTALLATION DIAGRAM

- (A) Condensate tank
- (B) Level sensor
- (C) Pump unit
- (D) Anti-siphoning vacuum breaker
- (E) Waste water pipe



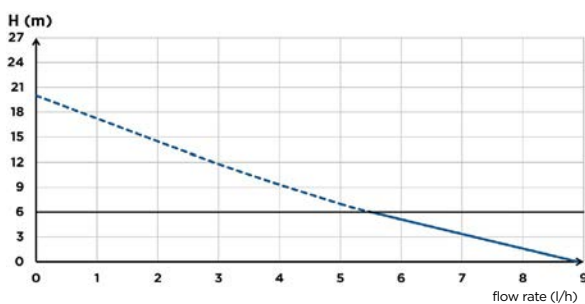
## TECHNICAL FEATURES

Max. power of the boiler	8 kW
Inlet diameter DN	16 mm
Discharge diameter DN	6 mm
Max. flow rate	9 L/h +/- 15%
Max. incoming temperature	35°C
Max. suction distance between the detection bloc and the pump	2 m
Voltage / Frequency	220-240 V / 50-60 Hz
Max. power consumption	22 W
IP Rating	IP24
Noise level	21 dB(A)
<b>Identification and logistics</b>	
EAN code	3308815083919
Product code	1132

## PACK CONTAINS

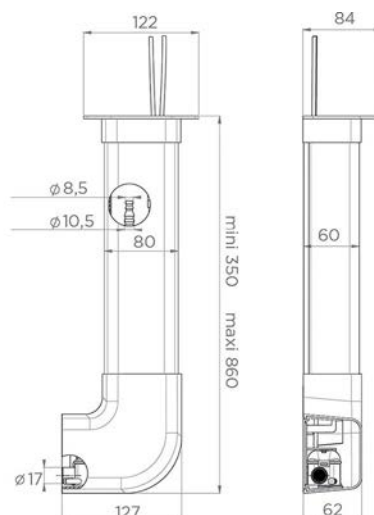
Sanicondens Clim pack pump, detection unit, trunking, flexible hose (1.2 m), mounting bracket, vent tube, power cable supplied

## CURVE



— recommended max height: 6 m

## DIMENSIONS



# Sanicondens Clim Deco



6 m  
↑



See page 10

## PRODUCT BENEFITS

- Compact solution for neat installation
- Easy installation, with fixing kit supplied
- Auto-resetting thermal protector

## CONNECTIONS

← Discharge diameter DN: 8-10 mm

→ Inlet diameter DN: 22 mm



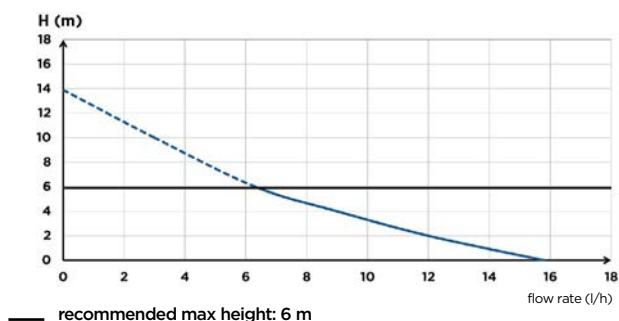
## TECHNICAL FEATURES

Max. power of the boiler	10 kW
Number of inlets	1
Inlet diameter DN	22 mm
Discharge diameter DN(int.)	8-10 mm
Tank volume	0.175 L
Max. incoming temperature	35°C
Max. power consumption	10 kW
Voltage / Frequency	220-240 V / 50-60 Hz
IP Rating	IP24
Electrical class	II
Noise level	23 dB(A)
<b>Identification and logistics</b>	
Gross weight	0.9 kg
EAN code	3308815012216
Product code	1134

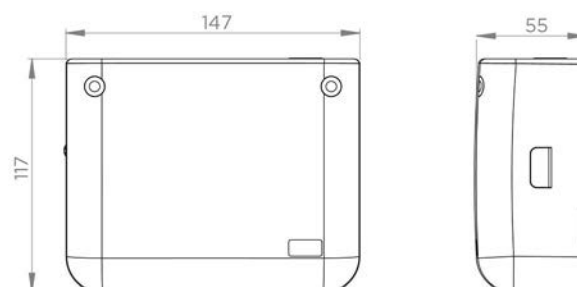
## PACK CONTAINS

Sanicondens Clim Deco, wall mounting, screw covers

## CURVE



## DIMENSIONS



# Sanicondens Clim Maxi



4.5 m  
50 m



See page 10

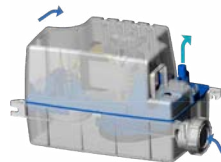
## PRODUCT BENEFITS

- Space saving solution
- 180 degree reversible plate
- Suspended installation possible
- Can be used with air conditioning units or refrigerated display cases

## CONNECTIONS

← Discharge diameter (int.) : 10 mm

→ Inlet diameter DN : 28/30 mm



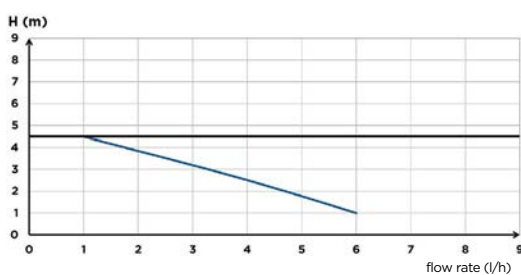
## TECHNICAL FEATURES

Max. power of the boiler	10 kW
Number of inlets	2
Inlet diameter DN	28/30 mm
Discharge diameter (int.)	10 mm
Tank volume	1 L
Max. incoming temperature	35°C
Voltage / Frequency	220-240 V / 50-60 Hz
Max. power consumption	60 W
Maximum current	0.52 A
IP Rating	IP24
Electrical class	I
Noise level	< 45 dB(A)
<b>Identification and logistics</b>	
EAN code	3308815090108
Product code	1136

## PACK CONTAINS

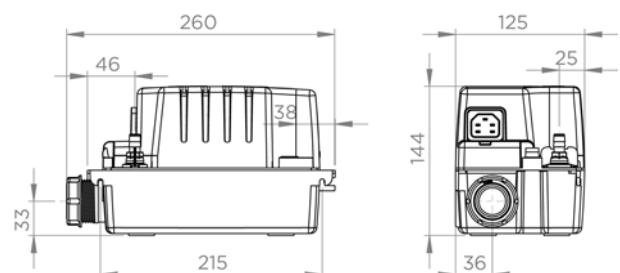
Sanicondens Clim Maxi, power cable and connector

## CURVE



— recommended max height: 4.5 m

## DIMENSIONS





## SANICONDENS RANGE

The removal of boiler condensates cannot always rely on gravity.

**That is why Saniflo provides a whole range of condensate lifting pumps: For gas and oil boilers, for small kitchen boilers as well as for large boilers (up to 80 kW).**

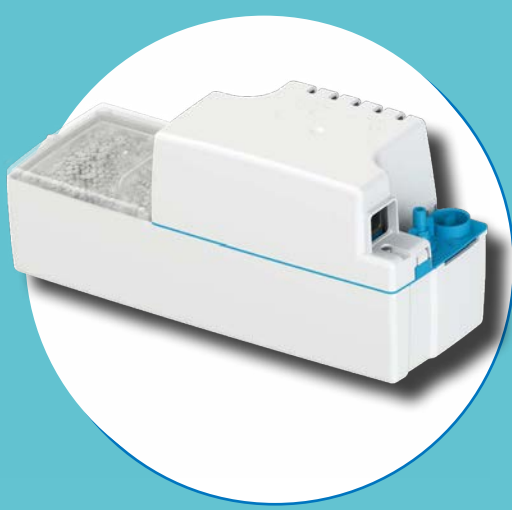
Legally, acidic condensate can only be discharged in pipework that can handle expelled water with a pH value lower than 6.5.

**National and local regulations may require pre-treatment of condensate to neutralise waste.**













**Saniflo offers a range of condensate neutralisation systems, with or without a lifting pump.**







# Boiler condensate removal pumps

	 Gas boiler	 Oil boiler	 Air conditioning	 Refrigerated display case	 Dehumidifier	 A/C unit with ceiling cassette
<b>Pumps</b>						
	<b>Sanicondens Deco+</b> Ideal for boilers installed in kitchens	<b>p.58</b> Maximum 25 kW				
	<b>Sanicondens Eco</b> For easy lifting	<b>p.59</b> Maximum 50 kW	Maximum 30 kW with Sanineutral	•	•	•
	<b>Sanicondens Pro</b> Large capacity tank and alarm pre-connection neutralisation systems	<b>p.60</b> Maximum 50 kW	Maximum 30 kW avec Sanineutral	•	•	•
<b>Pumping system with neutralisation system</b>						
	<b>Sanicondens Best Flat</b> Low entry for floor standing boilers	<b>p.61</b> Maximum 80 kW	Maximum 50 kW		•	
<b>Neutralisation systems</b>						
	<b>Sanineutral Mini</b> Ideal for boilers installed in kitchens	<b>p.62</b> Maximum 25 kW				
	<b>Sanineutral</b> Suitable for wall and floor boilers	<b>p.63</b> Maximum 50 kW	Maximum 35 kW			

- COMPACT AND DISCREET UNITS FOR EASY INSTALLATION
- FIXING KIT FOR EASY INSTALLATION
- SEVERAL INLETS AVAILABLE FOR GREATER FLEXIBILITY OF INSTALLATION

# Sanicondens Deco +



6 m  
60 m



See page 10

## PRODUCT BENEFITS

- Compact design for an aesthetic installation
- Ideal for collecting condensate from a boiler installed in a kitchen
- Easy to install, with wall fixing included

## CONNECTIONS

← Discharge diameter (int.): 8-10 mm

→ Inlet diameter DN : 22 mm



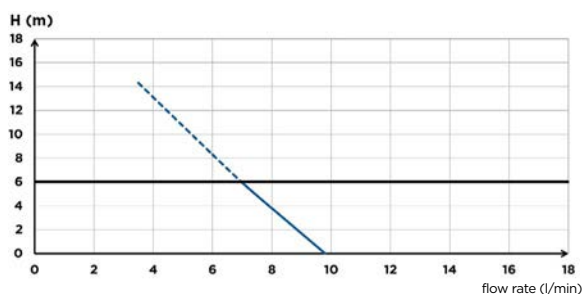
## PACK CONTAINS

Sanicondens Deco +, wall mounting, screw covers

## TECHNICAL FEATURES

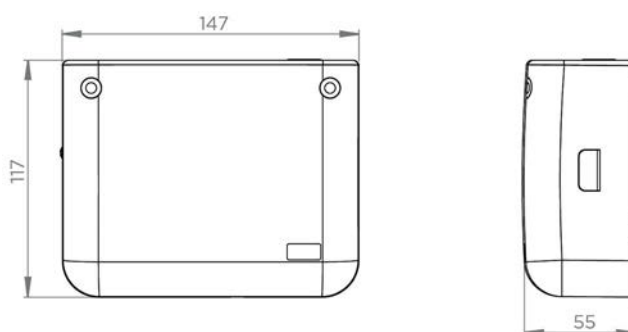
Max. power of boiler	Gas 25 kW
Number of inlets	1
Inlet diameter DN	22 mm
Discharge diameter (int.)	8-10 mm
Tank volume	0.175 L
Max. incoming temperature	55°C (S3 15%)
Voltage / Frequency	220-240 V / 50-60 Hz
Max. power consumption	22 W
IP Rating	IP24
Electrical class	II
Noise level	< 25 dB(A)
<b>Identification and logistics</b>	
Gross weight	0.9 kg
EAN code	3308815075389
Product code	1135

## CURVE

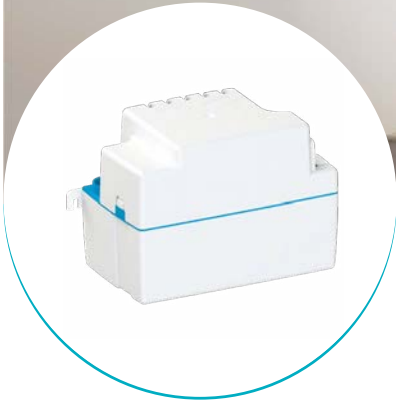


— recommended max height: 6 m

## DIMENSIONS



# Sanicondens Eco



4.5 m  
50 m



See page 10

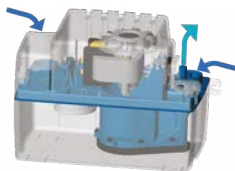
## PRODUCT BENEFITS

- Compact and quiet solution
- Connections possible with gas and oil boilers (using the Sanineutral or Sanineutral Mini), floor and wall-mounted units, refrigerated display cabinets, air conditioning units and dehumidifiers
- Easy installation: fixing kit supplied

## CONNECTIONS

← Discharge diameter (int.) : 10 mm

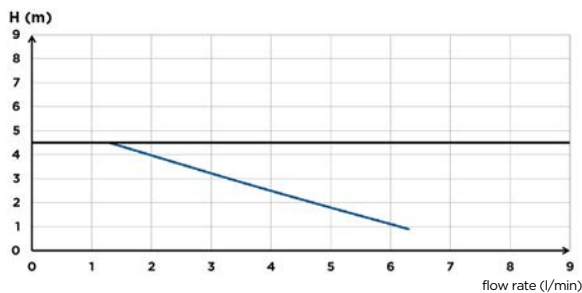
→ Inlet diameter DN : 28 mm



## PACK CONTAINS

Sanicondens Eco, non-return valve, fixing screws, 1 inlet adapter, 1 drain hose (5 m), 1 power cable 1.5 m, 1 outlet adapter

## CURVE

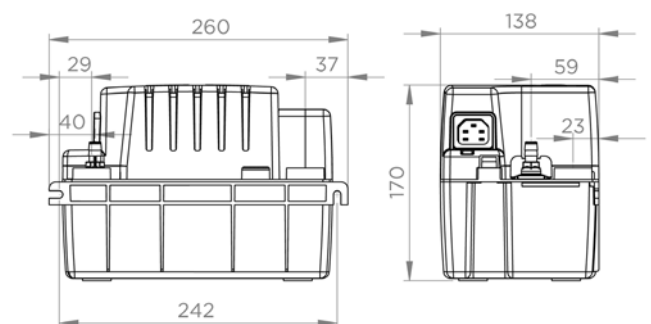


— recommended max height: 4.5 m

## TECHNICAL FEATURES

Max. power of boiler	Oil 30, Gas 50 kW
Number of inlets	2
Inlet diameter DN	28 mm
Discharge diameter (int.)	10 mm
Tank volume	2.2 L
Max. incoming temperature	80°C (S3 15%)
Voltage / Frequency	220-240 V / 50-60 Hz
Max. power consumption	60 W
Maximum current	0.52 A
IP Rating	IP24
Electrical class	I
Noise level	< 45 dB(A)
<b>Identification and logistics</b>	
Gross weight	2.5 kg
EAN code	3308815083681
Product code	1141

## DIMENSIONS



# Sanicondens Pro



4.5 m  
50 m



See page 10

## PRODUCT BENEFITS

- Compact and quiet solution
- Suitable for use with gas and oil boilers (using Sanineutral or Sanineutral Mini), floor and wall mounted boilers, refrigerated display cabinets, air conditioning units and dehumidifiers
- Easy installation, complete kit included

## CONNECTIONS

← Discharge diameter (int.) : 10 mm

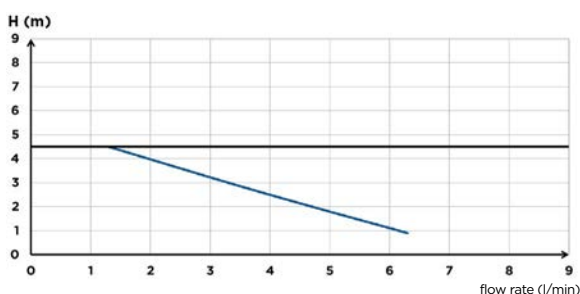
→ Inlet diameter DN : 28 mm



## PACK CONTAINS

Sanicondens Pro, non-return valve included, fixing screw, 1 inlet adapter, 1 outlet adapter (Ø 50 mm), 1 drain hose (5 m), 1 power cable (1.5 m), 1 rubber stopper, 1 alarm pre-connection cable

## CURVE

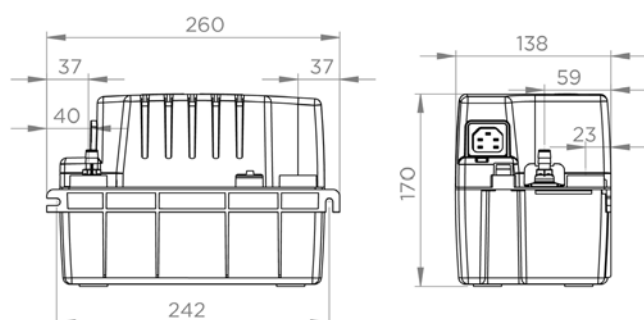


— recommended max height: 4.5 m

## TECHNICAL FEATURES

Max. power of boiler	Oil 30, Gas 50 kW
Number of inlets	2
Inlet diameter DN	28 mm
Discharge diameter (int.)	10 mm
Tank volume	2.2 L
Max. incoming temperature	80°C (S3 15%)
Voltage / Frequency	220-240 V / 50-60 Hz
Max. power consumption	60 W
Maximum current	0.52 A
IP Rating	IP24
Electrical class	I
Noise level	< 45 dB(A)
<b>Identification and logistics</b>	
Gross weight	3 kg
EAN code	3308815083674
Product code	1140

## DIMENSIONS



# Sanicondens Best Flat



4.5 m  
50 m



See page 10

## PRODUCT BENEFITS

- Compact solution with complete installation kit provided
- Low inlet at 47mm for floor standing boiler
- Integrated neutralisation system to protect pipes from acid attacks

## CONNECTIONS

← Discharge diameter (int.) : 10 mm

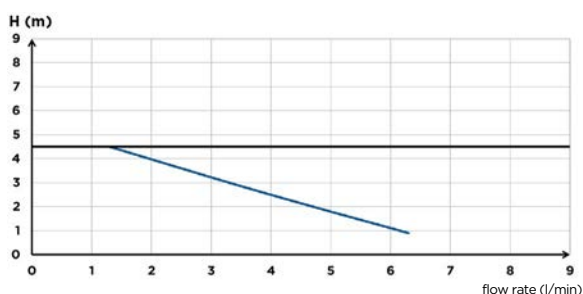
→ Inlet diameter DN : 28 mm



## PACK CONTAINS

Sanicondens Best Flat, wall mounting, non-return valve, fixing screw, 1 inlet adapter, 1 outlet adapter (Ø 50 mm), 1 drain hose 5 m int. Ø: 10 mm, 1 power cable 1.5 m, 1 alarm cable, 2 strands 1.5 m, 1.2 kg neutralisation granules

## CURVE



— recommended max height: 4.5 m

## TECHNICAL FEATURES

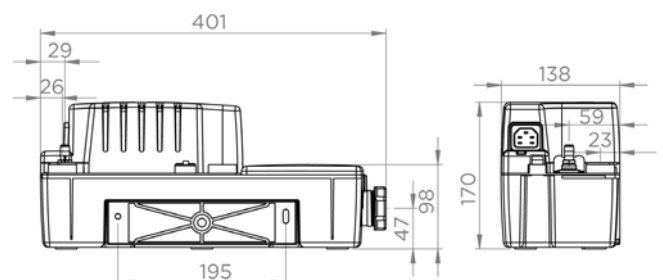
Max. power of boiler	Oil 50, Gas 80 kW
Number of inlets	2
Inlet diameter DN	28 mm
Discharge diameter (int.)	10 mm
Tank volume	3.5 L
Max. incoming temperature	80°C (S3 15%)
Voltage / Frequency	220-240 V / 50-60 Hz
Max. power consumption	60 W
Maximum current	0.52 A
IP Rating	IP24
Electrical class	I
Noise level	< 45 dB(A)
<b>Identification and logistics</b>	
Gross weight	4.7 kg
EAN code	3308815081410
Product code	1142

## OPTIONAL EXTRAS

Replacement granules  
Barcode: 3308815011134  
Product code: SACHGRANULE



## DIMENSIONS



# Sanineutral Mini

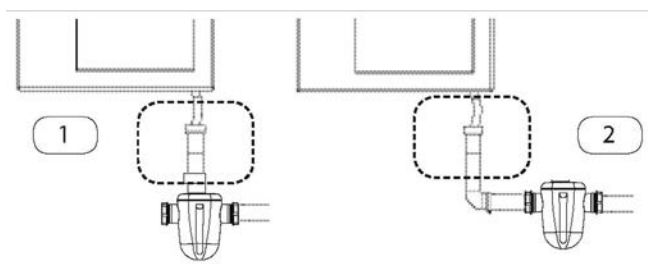


See page 10

## PRODUCT BENEFITS

- Compact solution with clear window for easy control of granules
- Preserves pipes from acid attack
- Easy maintenance: removable cover without disconnecting pipework
- Easy installation with complete kit included

## INSTALLATION DIAGRAM



1 and 2: compulsory air intake (at inlet)

## PACK CONTAINS

Sanineutral Mini, built-in siphon, wall mounting brackets, neutralisation granules 1.2 kg

## TECHNICAL FEATURES

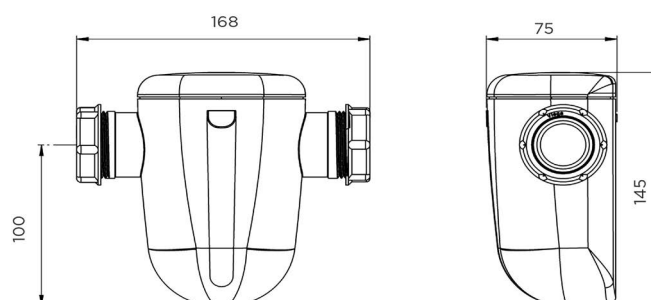
Max. power of boiler	Gas 25 kW
Number of inlets	2
Diameter of upper inlet	32/40 mm
Diameter of the side entry	32 mm
Minimum Ph	2.5
Identification and logistics	
Gross weight	1 kg
EAN code	3308815011134
Product code	1082/3

## OPTIONAL EXTRAS

Replacement granules  
Barcode: 3308815011134  
Product code: SACHGRANULE



## DIMENSIONS



# Sanineutral

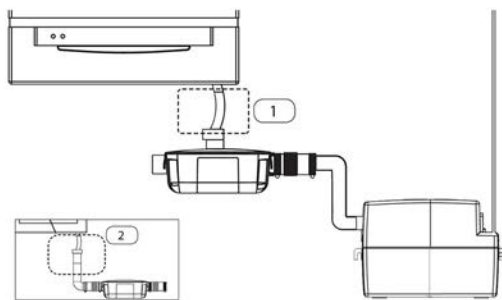


See page 10

## PRODUCT BENEFITS

- Transparent unit which allows easy control of the granules
- Preserves the pipes from acid attacks
- Easy maintenance: removable cover without having to disconnect the pipes
- Easy installation, complete kit included

## INSTALLATION DIAGRAM



1 and 2: compulsory air intake (at inlet)

## PACK CONTAINS

Sanineutral, inlet and outlet fittings, wall mounting fixings, floor fixing system

## TECHNICAL FEATURES

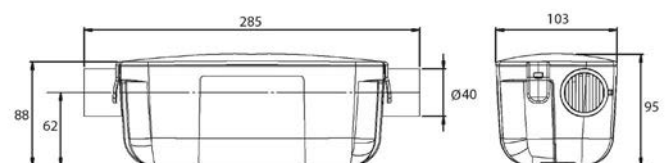
Max. power of boiler	Oil 35, Gas 50 kW
Number of inlets	2
Diameter of upper inlet	28/32/40 mm
Diameter of the side entry	40 mm
Minimum Ph	2.5
Identification and logistics	
Gross weight	2 kg
EAN code	3308815011134
Product code	1082/4

## OPTIONAL EXTRAS

Replacement granules  
Barcode: 3308815011134  
Product code: SACHGRANULE



## DIMENSIONS



# HELP IN CHOOSING THE RIGHT LIFTING STATION

## 1 DETERMINE THE PEAK FLOW

This is the amount of water to be drained depending upon the type and number of appliances connected to the lifting station.

The flow makes it possible to measure a volume per unit of time. It is expressed in cubic metres per hour (m<sup>3</sup>/h) or in litres per second (l/s).

### Estimated flow



We have taken one house to comprise of: 1 WC, 1 bath, 1 shower, 1 wash basin, 1 sink, 1 washing machine, 1 dishwasher.

Number of houses	Flow
<b>1 house</b> (1 to 3 inhabitants)	<b>2.5 m<sup>3</sup>/h</b>
Up to <b>2 dwellings</b> (4 to 6 inhabitants)	<b>5 m<sup>3</sup>/h</b>
Up to <b>4 dwellings</b> (7 to 9 inhabitants)	<b>10 m<sup>3</sup>/h</b>
Up to <b>6 dwellings</b> (10 to 12 inhabitants)	<b>15 m<sup>3</sup>/h</b>

## 2 CALCULATE TOTAL HEAD

The total head corresponds to the pressure that the pump will have to provide between the suction point and the discharge point.

**Total head = Geometric height + Pressure loss**

### Geometric height

This is the delivery height expressed in metres.

### Pressure Drop

This is the sum of pressure losses in the discharge line (expressed in metres of water column).

There are 2 types of pressure drop:

- Major pressure losses: they result from friction of fluid against the walls of the discharge pipe
- Minor pressure losses: they result from pipe-related incidents (elbow, non-return valves, etc).

They must be added to the geometric height to determine the total head.

The value obtained in this table is to be multiplied by the total length of the evacuation pipe to obtain the total pressure drop.

**For help in your calculations or for further advice please speak to our technical team on 020 8842 0033.**

### Pressure drop table

Flow in m <sup>3</sup> /h	DN PN10 pressure PVC piping					
	DN 32 36.2 / 40	DN 40 45.2 / 50	DN 50 57 / 63	DN65 67.8 / 75	DN 80 81.4 / 90	DN 100 101.6 / 110
2	0.011					
3	0.022	0.008				
4	0.037	0.013				
5	0.054	0.019	0.006			
6	0.075	0.026	0.009			
7	0.099	0.034	0.011			
8	0.126	0.043	0.014	0.006		
9		0.054	0.018	0.008		
10		0.065	0.021	0.009		
12		0.090	0.029	0.013	0.005	
15			0.044	0.019	0.008	
20				0.032	0.013	0.005
25				0.048	0.020	0.007
30					0.028	0.010
40						0.016
50						0.024
60						0.033
70						0.044
80						0.056



Once the total head and peak flow are determined, the characteristic curve can be drawn.

**The volume of the tank will then be determined according to the constraints specific to each installation.**

## CASE STUDY

Two houses are connected to a pumping station.

The station must discharge waste water to a height of 4m over a total distance of 10m PVC piping (50mm), which is outside.

- Geometric height: 4 m.
- Table of pressure drops:  
for 2 houses, the peak flow is estimated at 5 m<sup>3</sup>/h.

According to the pressure drop table, the head is:  $0.019 \times 10 = 0.19$  m

→ The total head will therefore be:  
 $4 \text{ m} + 0.19 \text{ m} = 4.19 \text{ m}$

→ The project therefore presents the following criteria:  
Total head = 4.19 m and Flow = 5 m<sup>3</sup>/h

Our client wants to install an underground pumping station in his garden.

The Sanifos range therefore meets his needs.

The installation constraints determine a 280 litre tank.

The analysis of the pump curve of the Sanifos station allows us to confirm that the Sanifos 280 station meets the needs of the installation.

Find out more information from  
our **in-house technical team.**

# Which **lifting station** to install?

## SANICUBIC RANGE

Because it's not always possible to install a lifting station underground, **Saniflo offers the Sanicom and Sanicubic ranges.** These can be placed directly onto solid ground for easy installation and maintenance.

Sanicom is dedicated to lifting grey water while the Sanicubic range can lift both grey and black water.



- **High performance operation with either grinder or vortex technology**

(except Sanicubic 1VX, Sanicubic 2 VX and Sanicom lifting stations)



- **Removable motor(s) and level sensors for easy maintenance**



- **Interactive smart control box**

(except Sanicom, Sanicubic 1 and Sanicubic 2 Classic)



- **Operational security with audible and visual alarm box options**

## THE PUMP

The pump is the main component in a lifting station and has to pump waste water reliably away from any application.

Saniflo is constantly innovating to improve the performance of our pumps.

The multitude of tests carried out during the design process in our factories guarantees their reliability and robust performance. Our products receive two electrical tests, a waterproof test and a functional test.

## OUR DIFFERENT SYSTEMS



### Grinder Pro X K2

Sanicubic  
Sanicubic1  
Sanicubic2 Classic  
Sanicubic2 PRO  
Sanicubic 1 GR HP and 2 GR HP  
Sanifos110/280/610  
Sanipump GR



### Closed impeller

Sanicom 1  
Sanicom 2















### Vortex impeller KX V6

Sanicubic 1 VX  
Sanicubic 2 VX  
Sanifos 280/610  
Sanipump VX



# Floor standing lifting stations

		 Individual use	 Single commercial use	 Multiple commercial use	Examples
	<b>Sanicom 1</b> Grey water	P.68 ✓	✓		<ul style="list-style-type: none"> <li>Kitchens, for the removal of grey water</li> <li>Bars and shops, for the removal of grey water</li> <li>Hotels, B&amp;Bs and cafes, for the removal of grey water</li> </ul>
	<b>Sanicom 2</b> Grey water	P.70 ✓	✓	✓	
	<b>Sanicubic 1</b> Grey water / black water	P.72 ✓			<ul style="list-style-type: none"> <li>Individual house, for the removal of grey or black water</li> <li>House extension, garden office room, for removal of grey or black water</li> <li>Businesses (WC, sinks, urinals) for the removal of grey or black water</li> <li>Shops or office spaces with kitchen and/or bathroom facilities for the removal of grey or black water</li> <li>River developments, floating chalets, barges etc. for waste water</li> </ul>
	<b>Sanicubic 2 Classic</b> Grey water / black water	P.74	✓		
	<b>Sanicubic 2 Pro - Smart - Brushless</b> Grey water / black water	P.76	✓		
	<b>Sanicubic 1 VX</b> Grey water / black water	P.78 ✓	✓		
	<b>Sanicubic 2 VX</b> Grey water / black water	P.80	✓	✓	
	<b>Sanicubic 1 GR HP</b> Grey water / black water	P.82	✓	✓	<ul style="list-style-type: none"> <li>Converting houses into flats or apartment buildings, for the removal of grey or black water</li> <li>Bars and restaurants, for the removal of grey or black water</li> <li>Hotels, campsites, multiple offices, for the removal of grey or black water</li> <li>Boats, for the removal of grey or black water</li> </ul>
	<b>Sanicubic 2 GR HP</b> Grey water / black water	P.84	✓	✓	

NEW FOR 2023

NEW FOR 2023

- HIGH PERFORMANCE OPERATION
- EASY ACCESS TO MOTOR(S) AND LEVEL SENSORS FOR MAINTENANCE
- CONTROL BOX COMES AS STANDARD (EXCEPT SANICOM 1)
- AUDIBLE AND VISUAL ALARM BOX FOR PEACE OF MIND
- INLETS ON THE TOP OF THE UNIT AND THE SIDES

# Sanicom 1

## Grey water

The Sanicom 1 is an automatic powerful lifting station designed to remove grey water from public places such as doctors' surgeries, showers in sports halls, launderettes, pubs, hair salons etc. Suitable for multiple connections the unit can handle temperatures up to 90°C for short periods of time. This unit is equipped with a dip tube that controls the activation of the motor. A high level alarm is built into the unit.



## PERFORMANCE

- Max. head : 11 m
- Max. flow rate : 12 m<sup>3</sup>/h

## PRODUCT BENEFITS

- Grey water lifting station
- The unit is floor standing for easy installation
- Easily accessible for maintenance
- 2 side inlets
- Alarm can be fitted to the unit if required



See page 10



## OPTIONAL EXTRAS



Wired, audible and  
visual alarm box  
Product code: 30520  
Barcode: 3308815083384

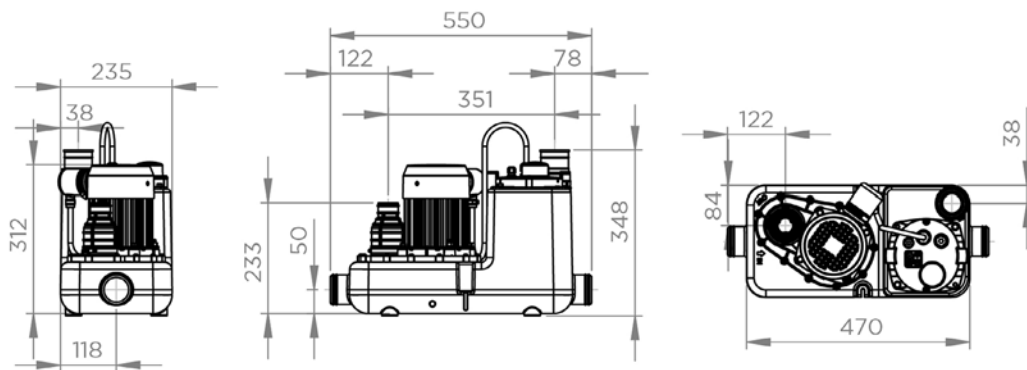


Sanicubic carbon filter  
Product code: 1108  
Barcode: 3308815077529

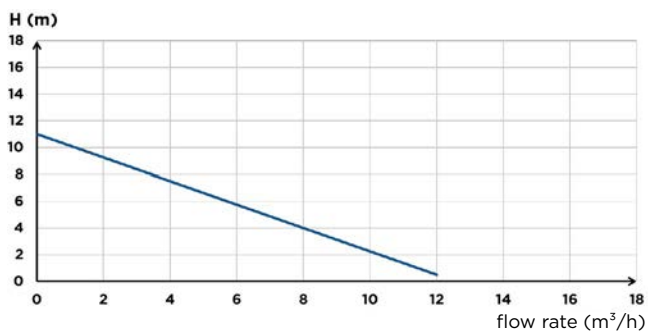
## PACK CONTAINS

Sanicom 1, non-return valve, connectors

## DIMENSIONS



## CURVE



## CONNECTIONS



- External inlet diameter : 40/50 mm
- Discharge diameter ext. : 32 mm
- Ext. ventilation diameter : 50 mm

	Sanicom 1
Type of control box	Integrated
<b>Material</b>	
Tank	PE
Pump housing	PA 12 GF
Motor housing	Aluminium
Impeller	PA 6 GF
<b>Electrical features</b>	
Voltage (V)	230
Frequency (Hz)	50-60
Power consumption P1 (W)	750
Power output P2 (W)	525
IP rating	IPX4
<b>Hydraulics</b>	
Max. head (m)	11
Max. flow rate (m³/h)	12
External inlet diameter (mm)	40/50
Discharge diameter ext. (mm)	32
Ext. ventilation diameter (mm)	50
Total volume (L)	14
Useable volume (L)	5.7
ON level /OFF level (mm)	135/50
Alarm level (mm)	205
Particle size (mm)	8
Max. temperature of the pumped liquid (5 min)	90°C
Type of impeller	multi-channel
Type of activation	pneumatic
<b>Identification and logistics</b>	
Gross weight (kg)	10
EAN code	3308815082851
Product code	30003

# Sanicom 2

## Grey water

Sanicom 2 is an automatic grey water lifting station with two powerful motors that can be used in busy commercial applications such as restaurants, pubs, hair salons, cafes etc. as the second motor acts as a failsafe backup. Suitable for multiple connections this unit can handle temperatures up to 90°C for short periods of time (max 5 mins). The second pump assists the first in case of a sudden large intake of water. The tank is equipped with 2 immersion tubes controlling the motor and the alarm system.



### PERFORMANCE

- Max. head : 12 m
- Max. flow rate : 18 m<sup>3</sup>/h

### PRODUCT BENEFITS

- Grey water lifting station
- Floor standing for easy installation
- Easily accessible for maintenance
- 2 side inlets with outer diameter 40/50/80
- 2 pumps operate alternately for more even use
- Remote control box comes as standard
- Alarm can be fitted if required



See page 10

### DELIVERED AS STANDARD



Classic control Box

### PACK CONTAINS

Sanicom 2, 2 non-return valve, connectors, control unit (2 m cable)

### OPTIONAL EXTRAS

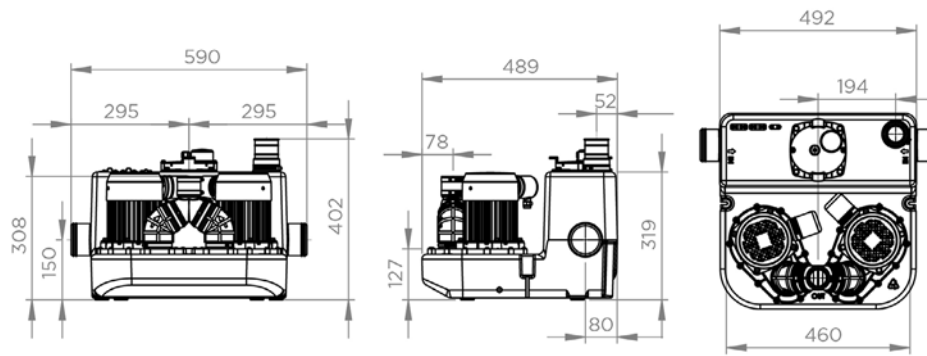


Wired, audible and visual alarm box  
Product code: 30521  
Barcode: 3308815084107

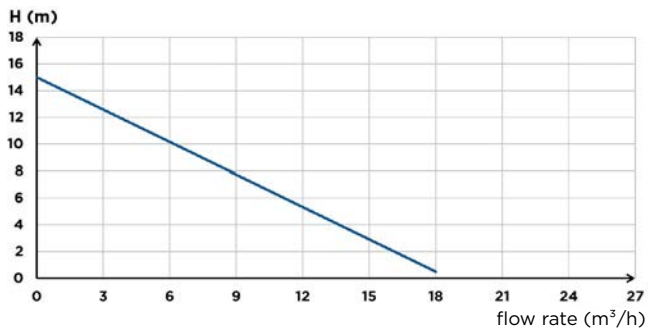


Sanicubic carbon filter  
Product code: 1108  
Barcode: 3308815077529

## DIMENSIONS



## CURVE



## CONNECTIONS



- External inlet diameter : 40/50/80 mm
- Discharge diameter ext. : 50 mm
- ↔ Ext. ventilation diameter : 50 mm

	Sanicom 2
Type of control box	Classic
<b>Material</b>	
Tank	PE
Pump housing	PA 12 GF
Motor housing	Aluminium
Impeller	PA 6 GF
<b>Electrical features</b>	
Voltage (V)	230
Frequency (Hz)	50-60
Power consumption P1 (W)	1500
Power output P2 (W)	1050
IP rating	IPX4
<b>Hydraulics</b>	
Max. head (m)	12
Max. flow rate (m³/h)	18
External inlet diameter (mm)	40/50/80
Discharge diameter ext. (mm)	50
Ext. ventilation diameter (mm)	50
Total volume (L)	34
Useable volume (L)	13
ON level /OFF level (mm)	145/60
Alarm level (mm)	215
Particle size (mm)	8
Max. temperature of the pumped liquid (5 min)	90°C
Type of impeller	multi-channel
Type of activation	pneumatic
<b>Identification and logistics</b>	
Gross weight (kg)	25
EAN code	3308815082868
Product code	30004

# Sanicubic 1

## Grey water, black water

The Sanicubic 1 lifting station is designed for use in a single property (house, small commercial premises) and collects all waste water from toilets, bathrooms, kitchens and laundry rooms. The unit uses the Pro X K2 grinding technology and removes waste water through 50 mm diameter discharge pipe.



### PERFORMANCE

- Max. head : 13 m
- Max. flow rate : 15 m<sup>3</sup>/h

### PRODUCT BENEFITS

- Floor standing so easy to install
- Easy access for maintenance
- 4 inlets, 2 of which are side inlets
- Less chance of clogging due to Pro X K2 grinder technology
- Discharge in 50 mm ext. pipe
- Maximum temperature of incoming waste water: 70°C (max 5 mins)



See page 10

### DELIVERED AS STANDARD



Remote wired audible and visual alarm unit (5m)

### OPTIONAL EXTRAS



Isolation valve  
DN50 shut-off valve  
Product code: 1109



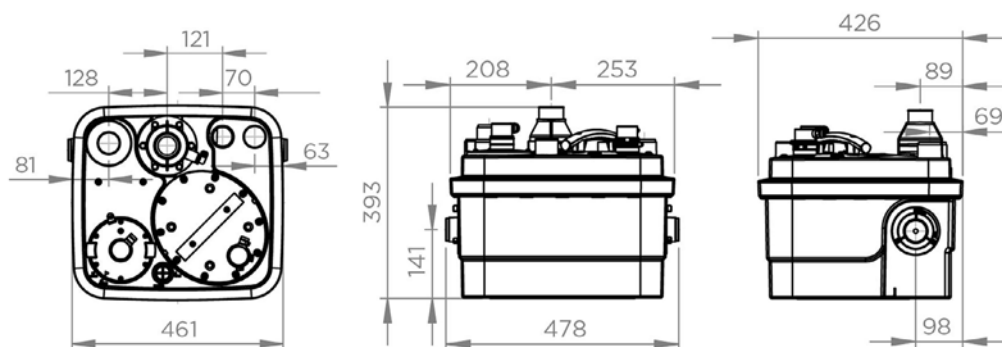
Isolation valve  
DN100 shut-off valve  
Product code: 1107/1



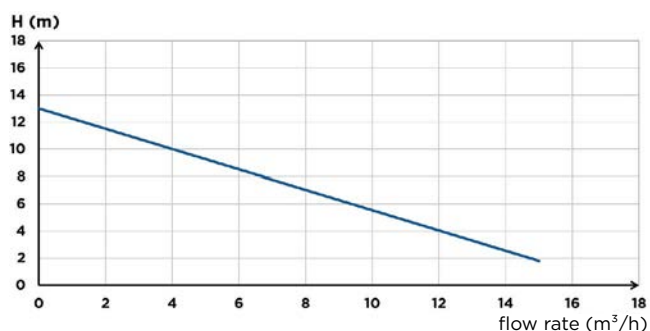
Sanicubic carbon filter  
Product code: 1108  
Barcode: 3308815077529



## DIMENSIONS



## CURVE



## CONNECTIONS



- External inlet diameter : 40/50/100/110 mm
- Discharge diameter ext. : 50 mm
- Ext. ventilation diameter : 50 mm

	Sanicubic 1
<b>Material</b>	
Tank	PP
Pump housing	PA 12 GF
Motor housing	PA 12 GF
Impeller	PP GF
<b>Electrical features</b>	
Voltage (V)	230
Frequency (Hz)	50-60
Power consumption P1 (W)	1500
Power output P2 (W)	1050
Mode of operation	S3 30 %
IP rating	IP68
<b>Hydraulics</b>	
Max. head (m)	13
Max. flow rate (m³/h)	15
External inlet diameter (mm)	40/50/100/110
Discharge diameter ext. (mm)	50
Ext. ventilation diameter (mm)	50
Total volume (L)	32
Useable volume (L)	10
ON level /OFF level (mm)	140/70
Alarm level (mm)	210
Max. temperature of the pumped liquid (5 min)	70°C
Type of impeller	Pro X K2 grinder
Type of activation	pneumatic
<b>Identification and logistics</b>	
Gross weight (kg)	23
EAN code	3308815074429
Product code	30006

# Sanicubic 2 Classic

## Grey water, black water

Sanicubic 2 Classic is a two pump station designed for the lifting of waste water from individual houses, small businesses or light commercial premises such as restaurants or pubs.

It uses the Pro X K2 macerator technology which removes waste water through a 50 mm diameter discharge pipe. The two pumps work alternately. The 5 inlets, 2 of which are side inlets, allow great flexibility in the installation of sanitaryware.



### PERFORMANCE

- Max. head : 13 m
- Max. flow rate : 15 m<sup>3</sup>/h

### PRODUCT BENEFITS

- Easily accessible with removable motors and level sensors for ease of maintenance
- Alternating operation of the 2 pumps
- 5 inlets, 2 of which are side inlets
- Less chance of clogging due to the Pro X K2 grinder technology
- Discharge in 50 mm ext. pipe



See page 10



### DELIVERED AS STANDARD



Remote wired audible and visual alarm unit (5m)



Classic control Box

### OPTIONAL EXTRAS



Isolation valve  
DN50 shut-off valve  
Product code: 1109

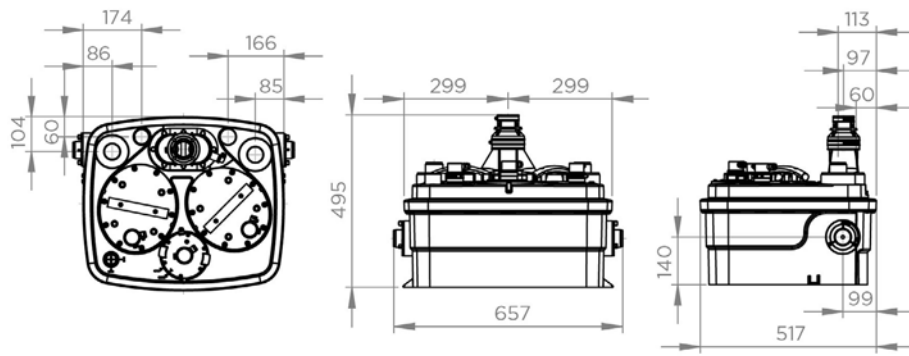


Isolation valve  
DN100 shut-off valve  
Product code: 1107/1

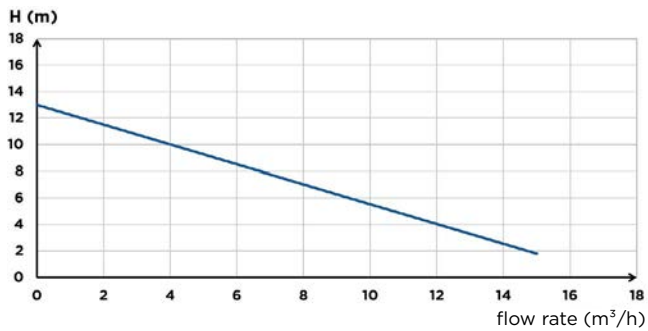


Sanicubic carbon filter  
Product code: 1108  
Barcode: 3308815077529

## DIMENSIONS



## CURVE



## CONNECTIONS



- External inlet diameter : 40/50/100/110 mm
- Discharge diameter ext. : 50 mm
- Ext. ventilation diameter : 50 mm

	Sanicubic 2 Classic
Type of control box	Classic
<b>Material</b>	
Tank	PP
Pump housing	PA 12 GF
Motor housing	PA 12 GF
Impeller	PP GF
<b>Electrical features</b>	
Voltage (V)	230
Frequency (Hz)	50-60
Power consumption P1 (W)	1500
Power output P2 (W)	1050
Mode of operation	S3 50 %
IP rating	IP68
<b>Hydraulics</b>	
Max. head (m)	13
Max. flow rate (m³/h)	15
External inlet diameter (mm)	40/50/100/110
Discharge diameter ext. (mm)	50
Ext. ventilation diameter (mm)	50
Total volume (L)	45
Useable volume (L)	17,5
ON level /OFF level (mm)	140/70
Alarm level (mm)	210
Max. temperature of the pumped liquid (5 min)	70°C
Type of impeller	Pro X K2 grinder
Type of activation	pneumatic
<b>Identification and logistics</b>	
Gross weight (kg)	35
EAN code	3308815074443
Product code	30013

# Sanicubic 2 Pro

## Grey water, black water

Sanicubic 2 Pro, 2 Pro Smart and 2 Pro Smart Brushless are two pump stations designed for the lifting of waste water from individual houses, small businesses or light commercial premises such as restaurants or pubs. They use the Pro X K2 macerator technology which removes waste water through a 50 mm diameter discharge pipe. The two pumps work alternately. The 5 inlets, 2 of which are side inlets, allow great flexibility in the installation of sanitaryware.



### PERFORMANCE

- Max. head : 12 m
- Max. flow rate : 15 m<sup>3</sup>/h

### PRODUCT BENEFITS

- Easily accessible with removable motors and level sensors for ease of maintenance
- Alternating operation of the 2 pumps
- 5 inlets, 2 of which are side inlets
- Less chance of clogging due to the Pro X K2 grinder technology
- Discharge in 50 mm ext. pipe
- Smart control box available for the Sanicubic 2 Pro, 2 Pro Smart and 2 Pro Smart Brushless



See page 10

### DELIVERED AS STANDARD



Remote wired audible and visual alarm unit (5m) for Sanicubic 2 Pro Smart and 2 Pro Smart Brushless



HF alarm for Sanicubic 2 Pro



Classic control box for Sanicubic 2 Pro



SMART control box for Sanicubic 2 Pro Smart and 2 Pro Smart Brushless

### OPTIONAL EXTRAS



Isolation valve DN50 shut-off valve  
Product code: 1109

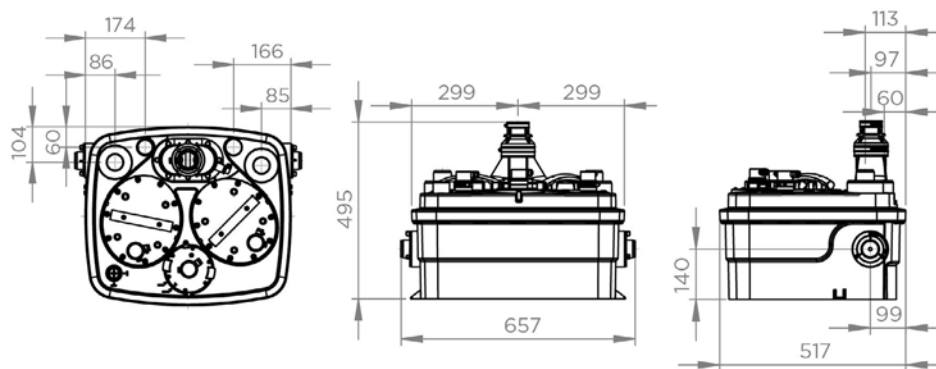


Isolation valve DN100 shut-off valve  
Product code: 1107/1

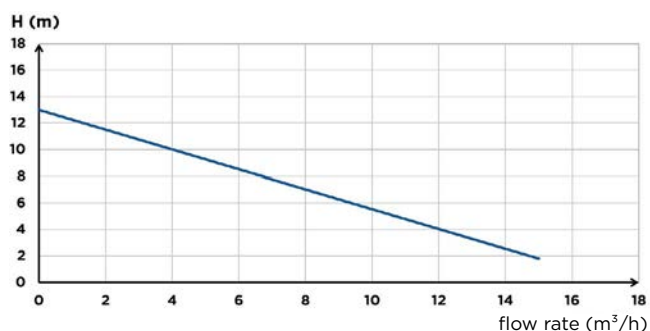


Sanicubic carbon filter  
Product code: 1108  
Barcode: 3308815077529

## DIMENSIONS



## CURVE



## CONNECTIONS



- External inlet diameter : 40/50/100/110 mm
- Discharge diameter ext. : 50 mm
- Ext. ventilation diameter : 50 mm

	Sanicubic 2 Pro	Sanicubic 2 Pro Smart	Sanicubic 2 Pro Smart Brushless
Type of control box	Classic	Smart	Smart
<b>Material</b>			
Tank	PP	PP	PP
Pump housing	PA 12 GF	PA 12 GF	PA 12 GF
Motor housing	PA 12 GF	PA 12 GF	PA 12 GF
Impeller	PP GF	PP GF	PP GF
<b>Electrical features</b>			
Voltage (V)	230	230	230
Frequency (Hz)	50-60	50-60	50-60
Power consumption P1 (W)	1500	1500	1500
Power output P2 (W)	1050	1050	1050
Mode of operation	S3 50 %	S3 50 %	S3 50 %
IP rating	IP68	IP68	IP68
<b>Hydraulics</b>			
Max. head (m)	13	13	13
Max. flow rate (m³/h)	15	15	15
External inlet diameter (mm)	40/50/100/110	40/50/100/110	40/50/100/110
Discharge diameter ext. (mm)	50	50	50
Ext. ventilation diameter (mm)	50	50	50
Total volume (L)	45	45	45
Useable volume (L)	17.5	17.5	17.5
ON level /OFF level (mm)	140/70	140/70	140/70
Alarm level (mm)	210	210	210
Max. temperature of the pumped liquid (5 min)	70°C	70°C	70°C
Type of impeller	Pro X K2 grinder	Pro X K2 grinder	Pro X K2 grinder
Type of activation	pneumatic	pneumatic	pneumatic
<b>Identification and logistics</b>			
Gross weight (kg)	35	35	35
EAN code	3308815074450	3308815075457	3308815085166
Product code	30011	30012	30013

# Sanicubic 1 VX

## Grey water, black water

Sanicubic 1 VX is a lifting station with 1 vortex pump. It is designed for lifting waste water from houses or small commercial premises. Sanicubic 1 VX has direct and safe access to the motor and level sensors. The lifting station comes with a classic control box and a wired alarm.



### PERFORMANCE

- Max. head : 12 m
- Max. flow rate : 40 m<sup>3</sup>/h

### PRODUCT BENEFITS

- Floor standing for easy installation
- Easy access for maintenance
- 3 inlets
- Vortex technology
- Direct and safe access to the motor
- Comes with classic control box
- Comes with wired alarm



See page 10

### DELIVERED AS STANDARD



Remote wired audible and visual alarm unit (5m)



Classic control box

### OPTIONAL EXTRAS



Isolation valve  
DN50 shut-off valve  
Product code: 1109

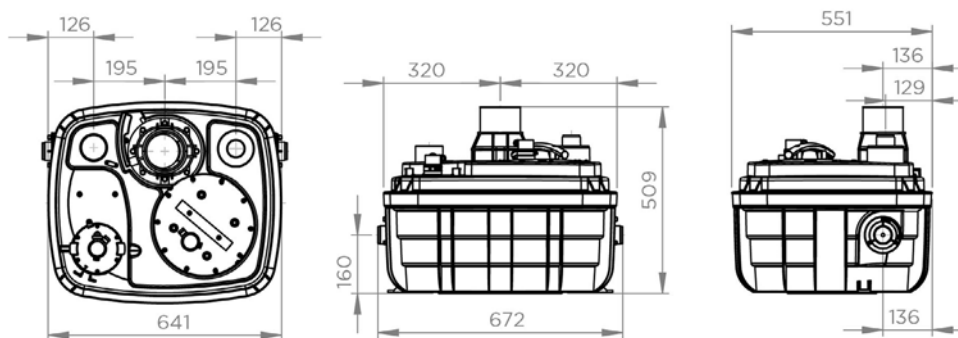


Isolation valve  
DN100 shut-off valve  
Product code: 1107/1

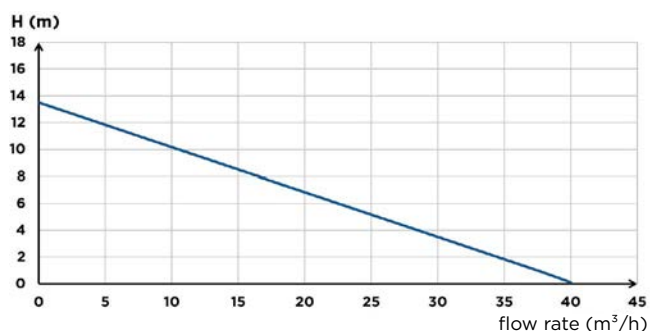


Sanicubic carbon filter  
Product code: 1108  
Barcode: 3308815077529

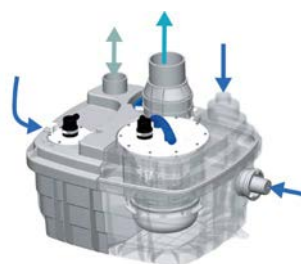
## DIMENSIONS



## CURVE



## CONNECTIONS



- External inlet diameter : 40/50/100/110/125 mm
- Discharge diameter ext. : 90/110 mm
- Ext. ventilation diameter : 75 mm

	Sanicubic 1 VX
Type of control box	Classic
<b>Material</b>	
Tank	PP GF
Pump housing	PA 12 GF
Motor housing	PA 12 GF
Impeller	PPO GF
<b>Electrical features</b>	
Voltage (V)	230
Frequency (Hz)	50-60
Power consumption P1 (W)	2000
Power output P2 (W)	1400
Mode of operation	S3 15 %
IP rating	IP68
<b>Hydraulics</b>	
Max. head (m)	13.5
Max. flow rate (m³/h)	40
External inlet diameter (mm)	40/50/100/110/125
Discharge diameter ext. (mm)	90/110
Ext. ventilation diameter (mm)	75
Total volume (L)	60
Useable volume (L)	21
ON level /OFF level (mm)	165/95
Alarm level (mm)	235
Particle size (mm)	50
Max. temperature of the pumped liquid (5 min)	70°C
Type of impeller	vortex
Type of activation	pneumatic
<b>Identification and logistics</b>	
Gross weight (kg)	30
EAN code	3308815077611
Product code	30005

# Sanicubic 2 VX

## Grey water, black water

The Sanicubic 2 VX lifting station is designed for lifting waste water from shops, private homes and public buildings. It comes with two vortex pumps leaving a free passage of 50 mm. The 5 inlets allow the connection of several items of sanitaryware or kitchen appliances. Sanicubic 2 VX is available in 4 versions, single-phase or three-phase. The lifting station comes with a remote control box and alarm or with the smart control box and alarm.



### PERFORMANCE

- Max. head : 16 m
- Max. flow rate : 55 m<sup>3</sup>/h

### PRODUCT BENEFITS

- Floor standing for easy installation
- Easily accessible for maintenance
- 5 inlets, 2 of which are side inlets
- 2 vortex motors
- Single phase or three phase
- Alternating motor operation



See page 10

### DELIVERED AS STANDARD (Depending on model chosen)



Remote wired audible and visual alarm unit (5m)



Classic control box



SMART control box

### OPTIONAL EXTRAS



Isolation valve  
DN50 shut-off valve  
Product code: 1109



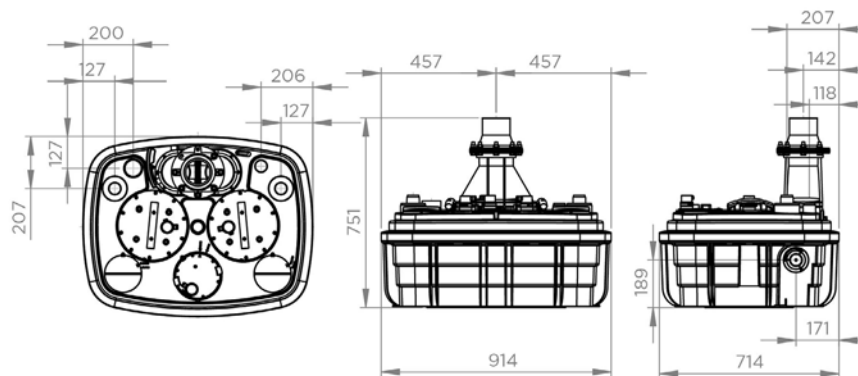
Isolation valve  
DN100 shut-off valve  
Product code: 1107/1



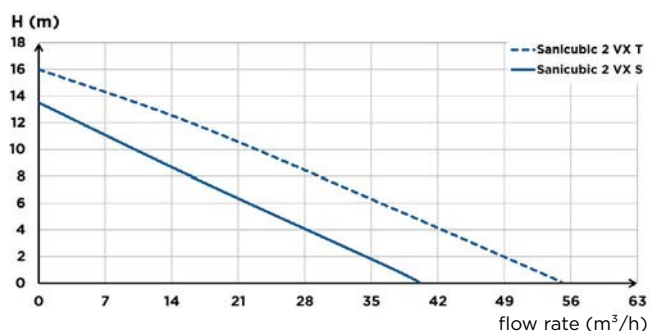
Sanicubic XL carbon filter  
Product code: 1108/1  
Barcode: 3308815076874



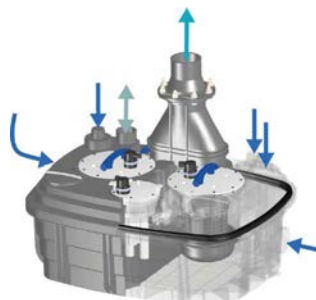
## DIMENSIONS



## CURVE



## CONNECTIONS



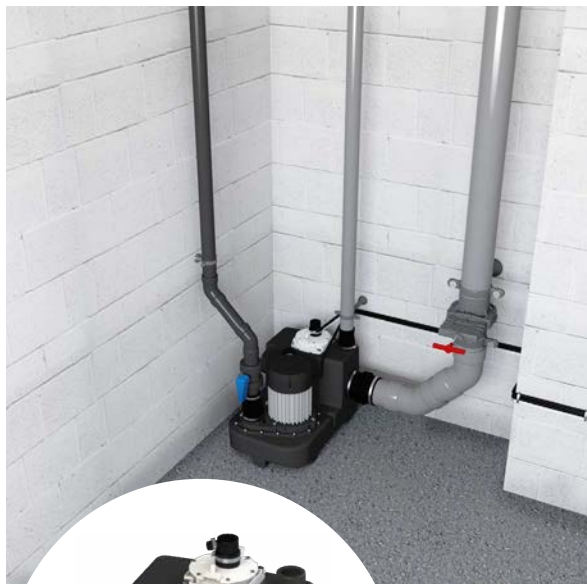
- ➔ External inlet diameter : 40/50/100/110/125 mm
- ➔ Discharge diameter ext. : 90/110 mm
- ↔ Ext. ventilation diameter : 75 mm

	Sanicubic 2 VX S	Sanicubic 2 VX S Smart	Sanicubic 2 VX T Smart
Type of control box	Classic	Smart	Smart
<b>Material</b>			
Tank	PP GF	PP GF	PP GF
Pump housing	PA 12 GF	PA 12 GF	PA 12 GF
Motor housing	PA 12 GF	PA 12 GF	PA 12 GF
Impeller	PPO GF	PPO GF	PPA GF
<b>Electrical features</b>			
Voltage (V)	230	230	400
Frequency (Hz)	50-60	50-60	50-60
Power consumption P1 (W)	2000	2000	3500
Power output P2 (W)	1400	1400	2800
Mode of operation	S3 30%	S3 30%	S3 15%
IP rating	IP68	IP68	IP68
<b>Hydraulics</b>			
Max. head (m)	13	13	16
Max. flow rate (m³/h)	40	40	55
External inlet diameter (mm)	40/50/100/110/125	40/50/100/110/125	40/50/100/110/125
External discharge diameter (mm)	90/110	90/110	90/110
External ventilation diameter (mm)	75	75	75
Total volume (L)	120	120	120
Useable volume (L)	26	26	26
ON level /OFF level (mm)	165/95	165/95	165/95
Alarm level (mm)	235	235	235
Particle size (mm)	50	50	50
Max. temperature of the pumped liquid (5 min)	70°C	70°C	70°C
Type of impeller	vortex	vortex	vortex
Type of activation	pneumatic	pneumatic	pneumatic
<b>Identification and logistics</b>			
Gross weight (kg)	101	101	102
Barcode	3308815063140	3308815076171	3308815076188
Product code	30007	30008	30010

# Sanicubic 1 GR HP

## Grey water, black water

The Sanicubic 1 GR HP high-performance lifting station is designed for pumping black waste water from individual houses, flats, pool houses or small businesses. The automatic control is pneumatic through an internal immersion pipe. A wired control unit and an alarm system are included.



### PERFORMANCE

- Max. head : 18 m
- Max. flow rate : 17 m<sup>3</sup>/h

### PRODUCT BENEFITS

- Floor standing for easy installation
- Easy access to the pressure switch and motor for maintenance
- Pro XK2 stainless steel grinder technology
- Can handle water temperatures up to 90°C (max 5 mins)
- 2 side inlets DN 100 mm
- Non-return valve included
- Control box and alarm included



See page 10

### DELIVERED AS STANDARD



Remote wired audible and visual alarm unit (5m)



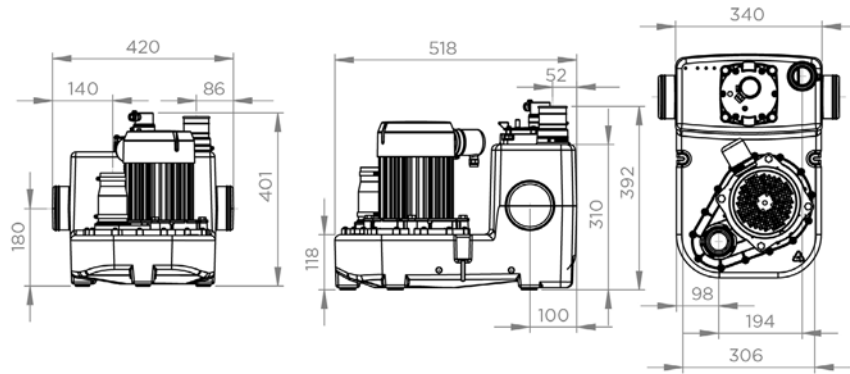
Classic control box

### OPTIONAL EXTRAS

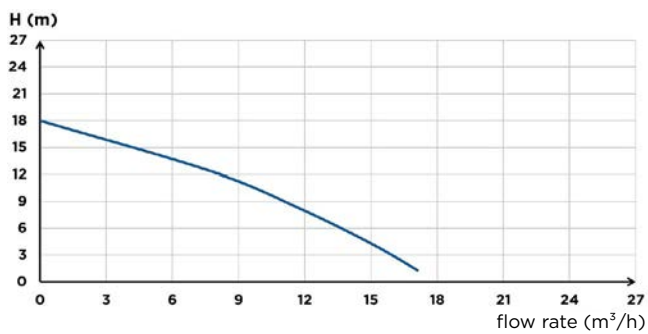


Sanicubic carbon filter  
Product code: 1108  
Barcode: 3308815077529

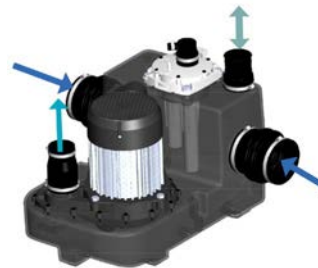
## DIMENSIONS



## CURVE



## CONNECTIONS



- External inlet diameter : 100 mm
- Discharge diameter ext. : 50 mm
- Ext. ventilation diameter : 50 mm

Sanicubic 1 GR HP	
Type of control box	Classic
<b>Material</b>	
Tank	HD PE
Pump housing	PA 12 GF
Motor housing	Aluminium
Impeller	PP GF
<b>Electrical features</b>	
Voltage (V)	220-240
Frequency (Hz)	50-60
Power consumption P1 (W)	2000
Power output P2 (W)	1400
Mode of operation	S3 30 %
IP rating	IPX4
<b>Hydraulics</b>	
Max. head (m)	18
Max. flow rate (m³/h)	17
External inlet diameter (mm)	100
Discharge diameter ext. (mm)	50
Ext. ventilation diameter (mm)	50
Total volume (L)	26
Useable volume (L)	12
ON level /OFF level (mm)	155/60
Alarm level (mm)	225
Max. temperature of the pumped liquid (5 min)	90°C
Type of impeller	Pro X K2 grinder
Type of activation	Pneumatic
<b>Identification and logistics</b>	
EAN code	3308815089614
Product code	30016

# Sanicubic 2 GR HP

## Grey water, black water

The Sanicubic 2 GR HP is a floor-mounted twin-motor high-performance lifting station, for black waste water from individual homes or several flats, small commercial businesses, shops or the catering trade. Both motors work alternately, which increases reliability and longevity. In the event of a large intake of water, both pumps can be activated simultaneously. The lifting station is equipped with a dip tube that controls the motor and the alarm system. The Sanicubic 2 GR HP comes with a wired control box and an alarm box. An interactive Smart control box is available as an option.



### PERFORMANCE

- Max. head : 18 m
- Max. flow rate : 17 m<sup>3</sup>/h

### PRODUCT BENEFITS

- Floor standing for ease of installation
- Easy access to the pressure switch and motor for maintenance
- Pro XK2 stainless steel grinder technology
- Can handle temperatures up to 90°C (max 5 mins)
- 2 side inlets DN 100 mm
- Non-return valve included
- Control box and alarm box included
- 2 independent motors ensure a failsafe, continuous operation



See page 10



### DELIVERED AS STANDARD



Remote wired audible and visual alarm unit (5m)



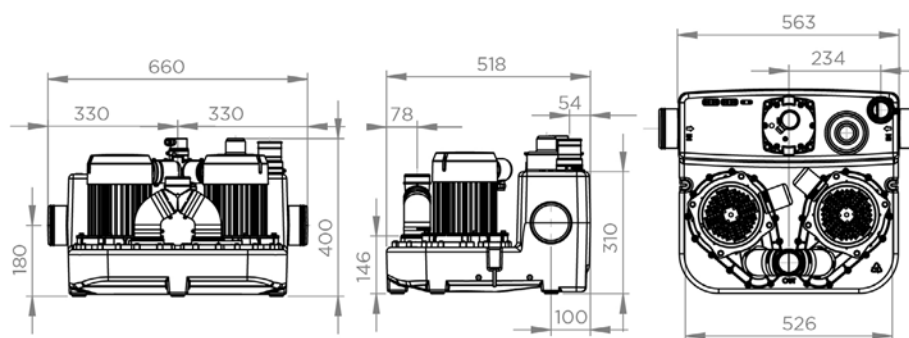
Classic control box

### OPTIONAL EXTRAS

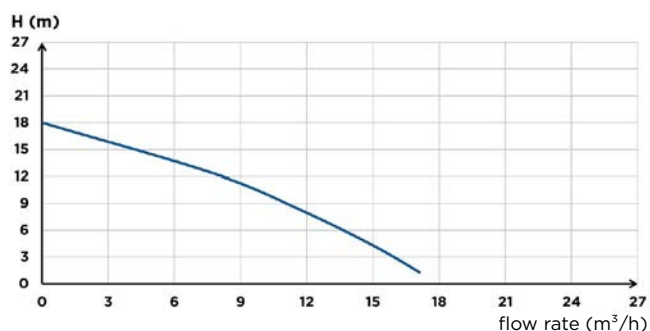


Sanicubic carbon filter  
Product code: 1108  
Barcode: 3308815077529

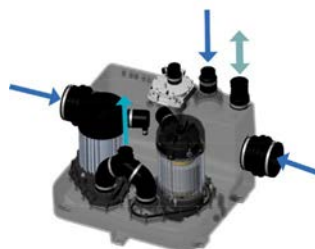
## DIMENSIONS



## CURVE



## CONNECTIONS



- External inlet diameter : 100 mm
- Discharge diameter ext. : 50 mm
- Ext. ventilation diameter : 50 mm

Sanicubic 2 GR HP	
Type of control box	Classic
<b>Material</b>	
Tank	HD PE
Pump housing	PA 12 GF
Motor housing	Aluminium
Impeller	PP GF
<b>Electrical features</b>	
Voltage (V)	220-240
Frequency (Hz)	50-60
Power consumption P1 (W)	2000
Power output P2 (W)	1400
Mode of operation	S3 50 %
IP rating	IPX4
<b>Hydraulics</b>	
Max. head (m)	18
Max. flow rate (m³/h)	17
External inlet diameter (mm)	100
Discharge diameter ext. (mm)	50
Ext. ventilation diameter (mm)	50
Total volume (L)	39
Useable volume (L)	15
ON level /OFF level (mm)	155/60
Alarm level (mm)	225
Max. temperature of the pumped liquid (5 min)	90°C
Type of impeller	Pro X K2 grinder
Type of activation	pneumatic
<b>Identification and logistics</b>	
EAN code	3308815090122
Product code	30017

# Sanifos

## Underground lifting stations

### INSTALLATION ADVICE

1

## TYPE OF SOIL\*

Before the installation of an underground lifting station.

You will need to know your soil type and where the water table is to ensure the Sanifos is buried at the right level and does not move.

Sanifos lifting stations can also be installed inside the home if needed, placed above the ground.

2

## WHERE TO INSTALL?

Sanifos lifting stations have a water inlet from 182 mm to 2450 mm (and from 2940 mm with the riser kit), allowing them to be installed where they are needed.

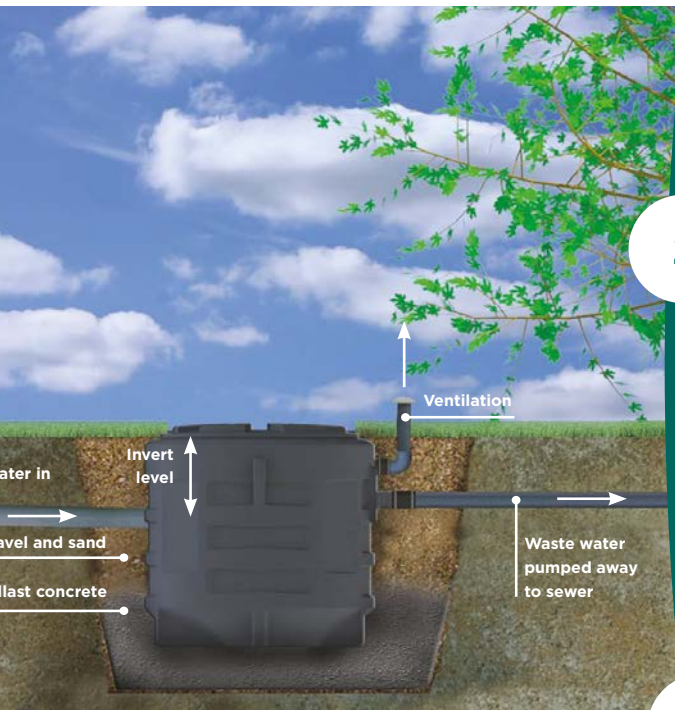
3

## GOOD VENTILATION

Why is good ventilation needed for your lifting station?

It is necessary to install ventilation in the upper part of the lifting station to ensure it works correctly.

- It removes the gases that form inside the tank
- It avoids depressurisation from the station
- There is a position on the top of the tank where a ventilation pipe can be connected



WHEN INSTALLING A LIFTING STATION, DIFFERENT PARAMETERS MUST BE TAKEN INTO ACCOUNT AND ADHERED TO.

**Standards:** Our products are manufactured to meet the standards of water regulation EN12050-10 and must be installed according to the recommendations of standards EN 12056-4 and EN 752-6.

\* For any specific technical information, refer to the installation instructions or ask advice from our technical team: [technical@saniflo.co.uk](mailto:technical@saniflo.co.uk)

## SANIFOS RANGE

# The reliable underground lifting station.

In order to save space in the home and for discreet operation Saniflo offers a whole range of underground lifting stations: **the SANIFOS range.**

In grinder or vortex version, with 1 or 2 pumps, single-phase or three-phase motors, the range meets every requirement.

## Advantages of Sanifos

### Reliability

- High density rotational moulded polyethylene tank with strong mechanical resistance, anti-odour, resistant to chemical attack and UV
- Motor thermal protection

### Flexibility

- Several inlets of different diameters available
- 2 ventilation openings

### Easy installation and maintenance

- Delivered with premounted hydraulic connections with isolation valves and non-return valve
- Cable gland for cable protection





# Underground lifting stations

An underground lifting station means you can save space in your house by not needing an above ground lifting station, it is also quiet and discreet.

The Sanifos range helps you create a garden room or garage conversion with ease no matter where your drainage is.

Product	Pump		Grey water	Black water	Rainwater	Discharge head (m)	Flow rate (m <sup>3</sup> /h)
Sanifos 110	Sanipump GR	 p.92	✓	✓		10	14
Sanifos 280	Sanipump GR	 p.94	✓	✓		14	12
	Sanipump VX		✓	✓		14	24
Sanifos 610	Sanipump GR	 p.96	✓	✓		14	15
	Sanipump VX		✓	✓	✓	14	22
	Sanipump VX T		✓	✓	✓	16	28

## LIFTING STATION SUPPORT

Do you need to install a lifting station?

For further help with your project's drainage, or for our full range of Sanifos products covering commercial applications please call our technical team. From sizing to maintenance, or for additional information, our team of experts are ready to help.

[saniflo.co.uk](http://saniflo.co.uk) / 020 8842 0033





# SANIFLO IS HERE TO SUPPORT YOU



## OUR AFTER SALES SERVICE



We have a network of:  
Registered service  
engineers who  
are able to come  
to your home and  
business and assist  
with any servicing or  
maintenance issues



In addition,  
our in-house  
customer service  
team is happy to  
advise over the  
phone, email or  
via our website  
**saniflo.co.uk**

### **Do you have a technical question?**

Contact us on: 020 8842 0033 or  
by email: [technical@saniflo.co.uk](mailto:technical@saniflo.co.uk)

# Sanipump Grinder or Vortex

Sanipump Grinder and Sanipump Vortex are two pumps designed for the removal of domestic waste water from toilets, bathrooms, kitchens or laundry rooms. The Sanipump Grinder's Pro X K2 grinding system allows the discharge of waste water through small diameter pipes. Sanipump Vortex comes with a vortex wheel KX V6. It can remove solids up to 50 mm. The Sanipump uses a float activation system.



14 m



See page 10

## PERFORMANCE

- Max. head : 14 m
- Max. flow rate : 27 m<sup>3</sup>/h

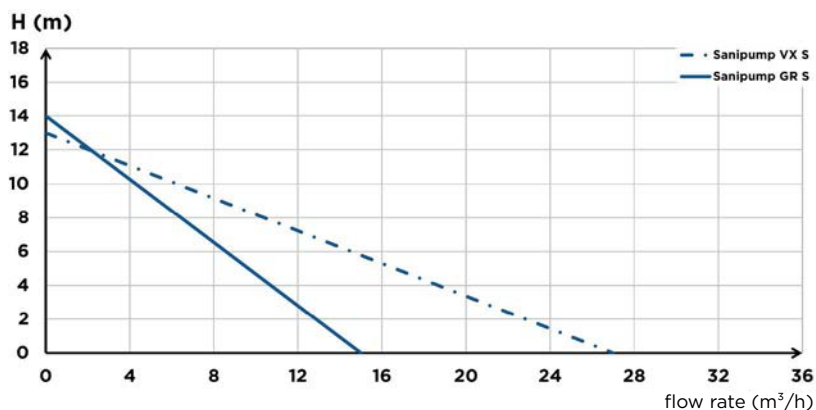
## PACK CONTAINS

Sanipump with float activation

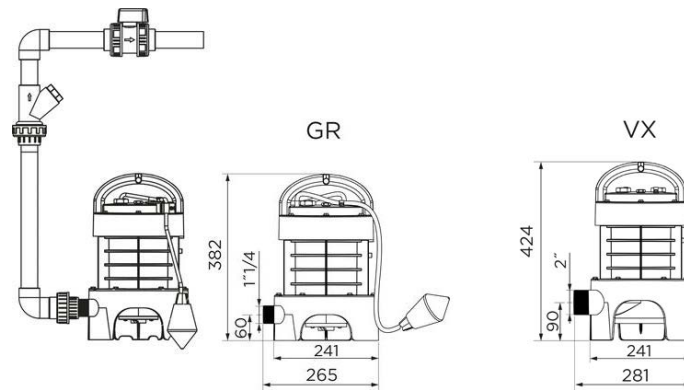
## PRODUCT BENEFITS

- Stand-alone operation
- 2 versions available, one with vortex technology and one with grinder technology
- Float activation system
- Maximum waste water temperature: 70°C

## CURVE



## DIMENSIONS



	Sanipump GR S	Sanipump VX S
<b>Material</b>		
Shaft	Stainless steel	Stainless steel
Pump housing	PA 6 GF	PA 6 GF
Waterproofing	NBR	NBR
Foot	PA 6 GF	PA 6 GF
Motor housing	PA 6 GF	PA 6 GF
Impeller	PA 6 GF	PA 6 GF
<b>Electrical features</b>		
Voltage (V)	230	230
Frequency (Hz)	50-60	50-60
Power consumption P1 (W)	1500	1500
Power output P2 (W)	1050	1050
Revolutions per minute (RPM)	2800	2800
Electrical class	I	I
Motor insulation class	F	F
Mode of operation	S3 30 %	S3 15 %
Immersion depth (m)	5	5
Power cable : Length (m)	10	10
Power cable : Type of cable, Section	H07 RN-F 3G, 1.5 mm <sup>2</sup>	H07 RN-F 3G, 1.5 mm <sup>2</sup>
<b>Hydraulics</b>		
Max. head (m)	14	13
Max. flow rate (m <sup>3</sup> /h)	15	27
Discharge diameter G (inch)	1 1/4	2
ON level /OFF level (mm)	400/100	400/100
Max. temperature of the pumped liquid (5 min)	70°C	70°C
Type of impeller	Pro X K2 grinder	vortex
Type of activation	float	float
<b>Identification and logistics</b>		
Gross weight (kg)	13	13
EAN code	3308815074610	3308815076201
Product code	30014	30015

# Sanifos 110

## Grey water, black water

Sanifos 110 is a compact lifting station designed to lift waste water from an individual house: WC, sink, washing machine etc. Equipped with a grinder pump, it is operated by a float switch for automatic operation. Sanifos 110 comes with pre-mounted pipework and a cable gland for the motor cable outlet and the bottom of the tank is self-cleaning. Its 4 inlets of different diameters allow for flexible installation.



### PERFORMANCE

- Max. head : 14 m
- Max. flow rate : 15 m<sup>3</sup>/h

### PRODUCT BENEFITS

- Complete solution
- Easy installation: pre-assembled elements
- Pro X K2 grinder system
- 4 inlets
- Easy access to the pump with screw-on pedestrian cover
- Automatic pump operation
- Optional complete discharge kit available



See page 10



### DELIVERED AS STANDARD (Depending on model chosen)

- Tank with pre-assembled hydraulic and sealing gasket, 1 Sanipump GR, PVC pipe, pedestrian cover



Sanipump GR S



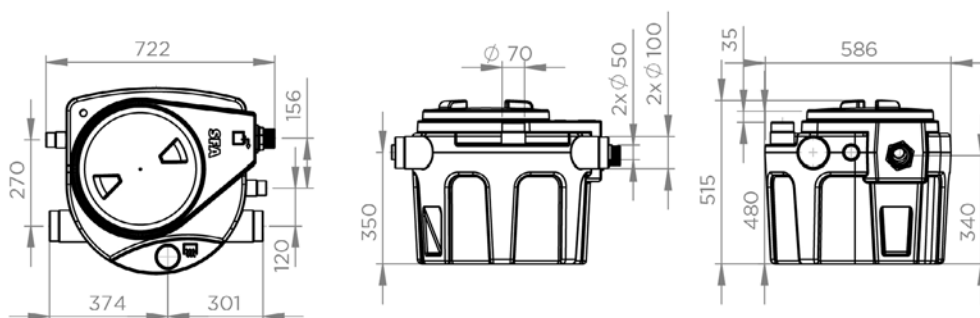
Pro X K2 grinder

### OPTIONAL EXTRAS

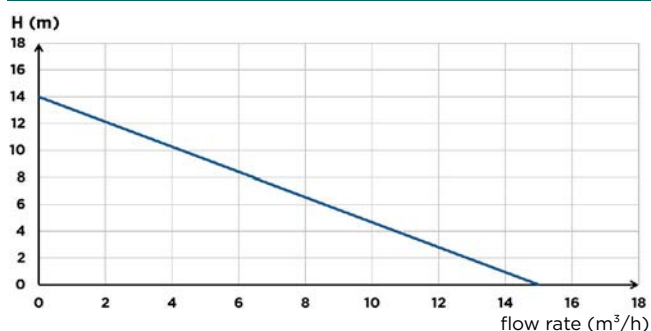


Sanifos 110 evacuation kit  
 Product code: 40500  
 Barcode: 3308815077024

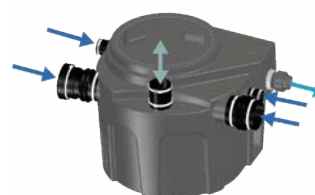
## DIMENSIONS



## CURVE



## CONNECTIONS



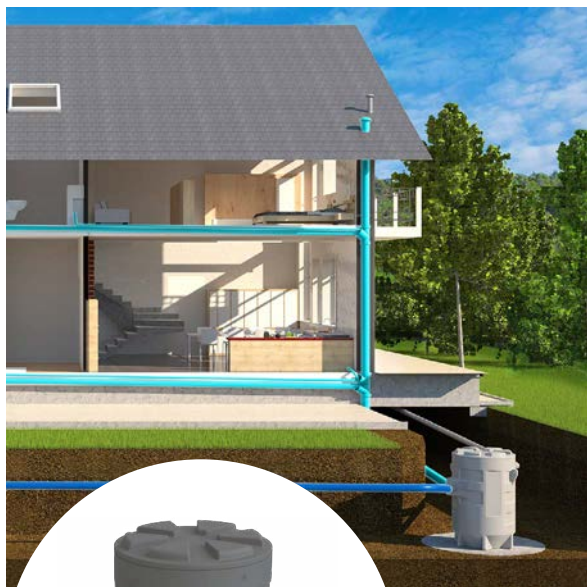
- External inlet diameter : 40/50/100/110/125 mm
- Discharge diameter ext. : 50 mm
- Ext. ventilation diameter : 75 mm

	Sanifos 110
Number of pumps	1
<b>Material</b>	
Tank	PE
Pipework	PVC
<b>Electrical features</b>	Sanipump GR S
Voltage (V)	230
Frequency (Hz)	50-60
Power consumption P1 (W)	1500
Power output P2 (W)	1050
Revolutions per minute (RPM)	2800
Electrical class	I
Motor insulation class	F
Mode of operation	S3 30%
Immersion depth (m)	5
Power cable: Length (m)	10
Power cable: Type of cable, section (mm <sup>2</sup> )	H07 RN-F 3G, 1.5
<b>Hydraulics</b>	
Max. head (m)	14
Max. flow rate (m <sup>3</sup> /h)	15
External inlet diameter (mm)	40/50/100/110/125
Discharge diameter ext. (mm)	50
Ext. ventilation diameter (mm)	75
Total volume (L)	110
Useable volume (L)	38
ON level /OFF level (mm)	320/120
Max. temperature of the pumped liquid (5 min)	70°C
Min. incoming water connection	182
Type of impeller	Pro X K2 grinder
Type of activation	Float
<b>Identification and logistics</b>	
Gross weight (kg)	40
EAN code	3308815079318
Product code	40000

# Sanifos 280

## Grey water, black water

Sanifos 280 is a lifting station designed to lift the waste water from a house: WC, sink, washing machine etc. It consists of a 280 litre tank and a pump with float switch. It is available in 2 different pump versions: grinder with Pro X K2 technology or vortex. Sanifos 280 comes with its own pipework with shut-off valve and non-return valve and the bottom of the tank is self-cleaning. A 30 cm extension is available as an option.



### PERFORMANCE

- Max. head : 14 m
- Max. flow rate : 25 m<sup>3</sup>/h

### PRODUCT BENEFITS

- Easy installation: preassembled elements
- Options for incoming water connections: 3 drilling zones
- 2 pump versions: grinder or vortex
- Automatic operation
- Bottom of the tank is self-cleaning
- Non-return valves and shut-off valves included



See page 10



### DELIVERED AS STANDARD (Depending on model chosen)



- Tank with pre-assembled hydraulics, isolation valve and non-return valve, 1 Sanipump GR or VX, handling chain, IP68 terminal block, cable gland.



Sanipump GR S



Sanipump VX S



Pro X K2 grinder



Vortex

### OPTIONAL EXTRAS



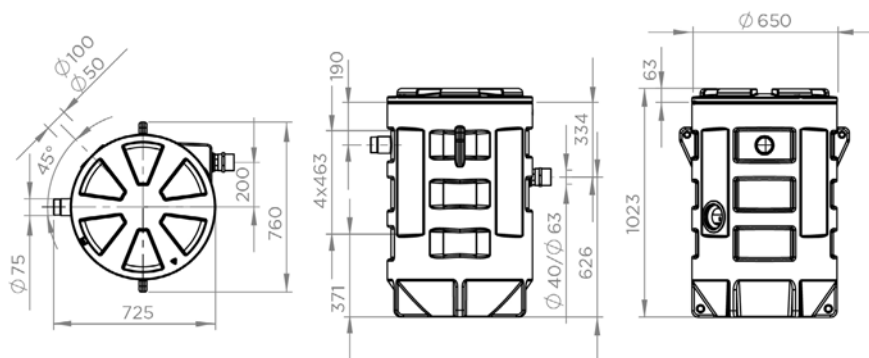
Sanifos 280 extension  
Barcode: 3308815081298  
Product code: 40502



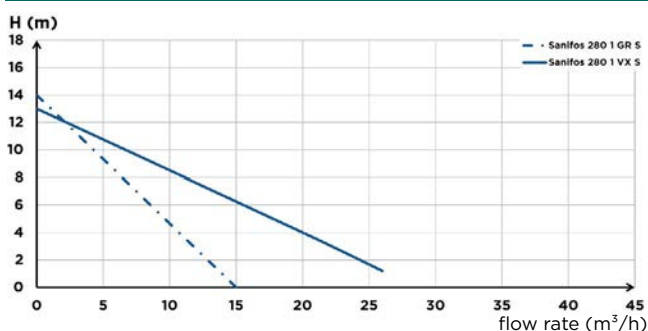
Sanifos Alarm for 1 pump versions if required  
Barcode: 3308815081625  
Product code: 40501



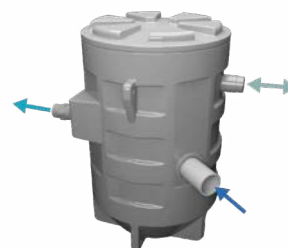
## DIMENSIONS



## CURVE



## CONNECTIONS



- External inlet diameter : 50/100 mm
- Discharge diameter ext. : 50 mm
- Ext. ventilation diameter : 75 mm

	Sanifos 280 1GR S	Sanifos 280 1VX S
Number of pumps	1	1
<b>Material</b>		
Tank	PE	PE
Pipework	PVC	PVC
<b>Electrical features</b>		
Voltage (V)	230	230
Frequency (Hz)	50-60	50-60
Power consumption P1 (W)	1500	1500
Power output P2 (W)	1050	1050
Revolutions per minute (RPM)	2800	2800
Electrical class	I	I
Motor insulation class	F	F
Mode of operation	S3 30%	S3 15%
Immersion depth (m)	5	5
Power cable: Length (m)	10	10
Power cable: Type of cable, section (mm <sup>2</sup> )	H07 RN-F 3G, 1,5	H07 RN-F 3G, 1,5
<b>Hydraulics</b>		
Max. head (m)	14	13
Max. flow rate ( $m^3/h$ )	15	26
External inlet diameter (mm)	50/100	50/100
Discharge diameter ext. (mm)	50	63
Ext. ventilation diameter (mm)	75	75
Total volume (L)	280	280
Max. temperature of the pumped liquid (5 min)	70°C	70°C
Min. incoming water connection	180	180
Max. incoming water connection	585	585
Type of impeller	Pro X K3 grinder	vortex
Type of activation	float	float
<b>Identification and logistics</b>		
Gross weight (kg)	55	55
EAN code	3308815083117	3308815081304
Product code	40001	40002

# Sanifos 610

## Grey water, black water

Sanifos 610 is a lifting station designed to lift rainwater and sewage from houses, commercial premises or a group of dwellings. It consists of a 610 litre tank and 1 or 2 pumps with integrated float switch(es) and the bottom of the tank is self-cleaning. It is available in 5 different single-phase or three-phase versions with a grinder pump or vortex pump. The lifting station comes with shut-off valves and non-return valve(s). The 2-pump versions come with an interactive monitoring system: the Smart control box.



### PERFORMANCE

- Max. head: 16 m
- Max. flow rate: 28 m<sup>3</sup>/h

DEPENDING ON MODEL

### PRODUCT BENEFITS

- Easy installation: pre-mounted pipework
- 4 drilling zones available for incoming water solutions
- 5 versions available: single or dual pump, single or three phase
- 2 types of pump available, either grinder or vortex
- Smart control box is available as an option



See page 10



### DELIVERED AS STANDARD (Depending on model chosen)



- Tank with pre-assembled hydraulics, 2 isolation valves and non-return valves, 3 floats installed in the tank, 1 or 2 Sanipump GR or VX, handling chain, waterproof terminal block, cable gland, smart control box (with 2 pump versions)

Sanipump VX S



Sanipump GR S



Vortex



Pro X K2 grinder



### OPTIONAL EXTRAS



Sanifos 280 extension  
Barcode: 3308815081298  
Product code: 40502

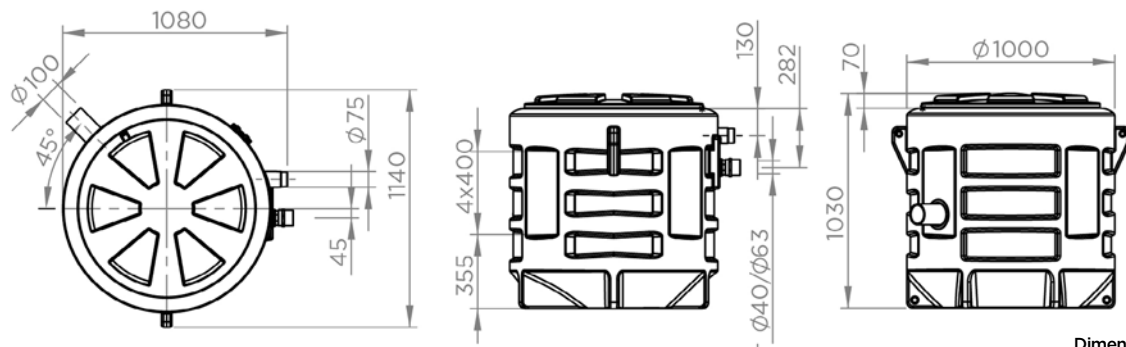


Sanifos Alarm for 1 pump versions if required  
Barcode: 3308815081625  
Product code: 40501



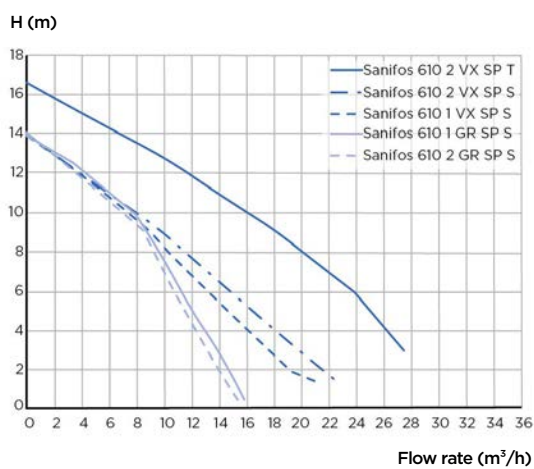


## DIMENSIONS



Dimensions (mm)

## CURVE



## CONNECTIONS



- External inlet diameter: 50/100 mm
- External discharge diameter: 50 mm
- External ventilation diameter: 75 mm

	Sanifos 610 1 GR SP S	Sanifos 610 1 VX SP S	Sanifos 610 2 GR SP S	Sanifos 610 2 VX SP S	Sanifos 610 2 VX SP T
Type of control box			Smart	Smart	Smart
Number of pumps	1	1	2	2	2
Material					
Tank	PE	PE	PE	PE	PE
Pipework	PVC	PVC	PVC	PVC	PVC
Electrical features					
Voltage (V)	230	230	230	230	400
Frequency (Hz)	50-60	50-60	50-60	50-60	50-60
Power consumption P1 (W)	1500	1500	1500	1500	2800
Power output P2 (W)	1050	1050	1050	1050	2240
Revolutions per minute (RPM)	2800	2800	2800	2800	2900
Electrical class	I	I	I	I	I
Motor insulation class	F	F	F	F	F
Mode of operation	S3 30%	S3 15%	S3 30%	S3 15%	-
Immersion depth (m)	5	5	5	5	5
Power cable: Length (m)	10	10	10	10	2.5
Power cable: Type of cable, section (mm <sup>2</sup> )	H07 RN-F 3G, 1.5	H07 RN-F 3G, 1.5	H07 RN-F 3G, 1.5	H07 RN-F 3G, 1.5	H07 RN-F 5G, 2.5
Hydraulics					
Max. head (m)	14.1	14	14.1	13.4	16.8
Max. flow rate (m <sup>3</sup> /h)	15.78	21	15.6	22.8	28.8
External inlet diameter (mm)	50/100	50/100	50/100	50/100	50/100
External discharge diameter (mm)	50	63	50	63	63
External ventilation diameter (mm)	75	75	75	75	75
Total volume (L)	610	610	610	610	610
Useable volume (L)	150	160	170	170	170
Alarm level (mm)			570	570	570
Min. incoming water connection (mm)	325	325	325	325	325
Max. incoming water connection (mm)	670	670	670	670	670
Type of impeller	Pro X K2 grinder	vortex	Pro X K2 grinder	vortex	vortex
Type of activation	float	float	float	float	float
Identification and logistics					
Gross weight (kg)	100	100	115	115	115
Barcode	3308815081687	3308815083094	3308815083087	3308815083100	3308815081663
Product code	40003	40004	40005	40006	40007

S = Single phase, T = Three phase.

# FLOOR-STANDING PUMPING STATION

I AM INTERESTED IN:  a quote  a sizing request

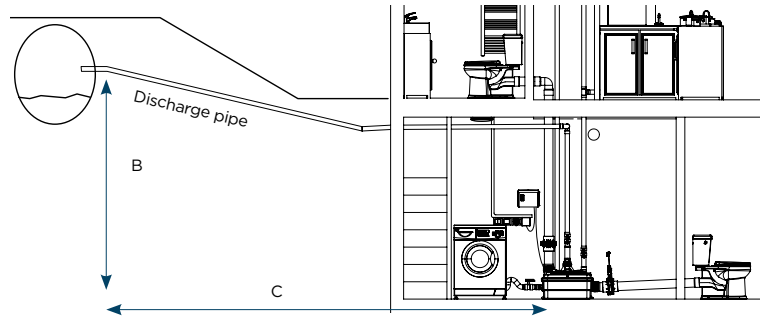
Your company: .....

Name: .....

Address: .....

Postcode: ..... City: .....

Phone: ..... Email address: .....



Project name / reference: .....

Estimated date of completion: .....

Address: .....

Postcode: ..... City: .....

Number of units to be installed:

Toilet(s).....Washbasin/bidet(s)..... Shower(s)..... Bath(s)..... Dishwasher..... Washing machine..... Sink..... Floor drain.....

## PROJECT DESCRIPTION

Number of users: ..... Number of pumps:  1  2

Installation:  Single phase  Three phase      Type of water:  clear  grey  black  rain

**Geometric height** (distance between the level of the drain and the stations lowest inlet point)

**B:** ..... m

**Discharge pipe length**  
(distance between the station and the drain)

**C:** ..... m

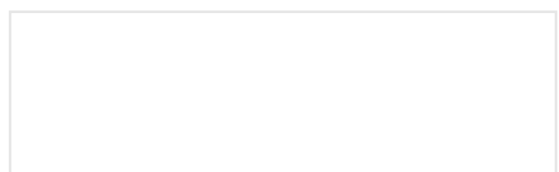
Number of angles at 90°: ..... at 45°: .....

Internal diameter of discharge pipe: .....

## PARTNER STAMP

Name: .....

First name: .....



# UNDERGROUND PUMPING STATION

I AM INTERESTED IN:  a quote  a sizing request

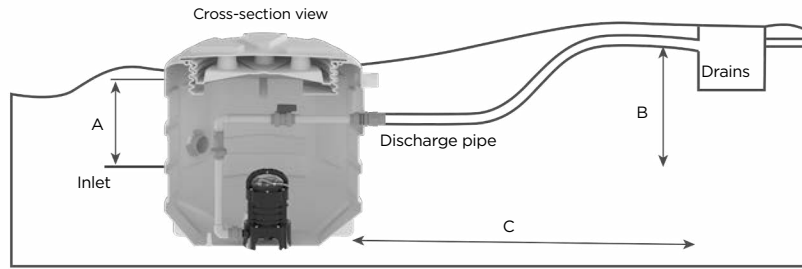
Your company: .....

Name: .....

Address: .....

Postcode: ..... City: .....

Phone: ..... Email address: .....



Project name / reference: .....

Estimated date of completion: .....

Address: .....

Postcode: ..... City: .....

Number of units to be installed:

Toilet(s)..... Washbasin/bidet(s)..... Shower(s)..... Bath(s)..... Dishwasher..... Washing machine..... Sink..... Floor drain.....

## PROJECT DESCRIPTION

Number of users: ..... Number of pumps:  1  2

Installation:  Single phase  Three phase      Type of water:  clear  grey  black  rain

Installation site:  in a green space  under paving stones  presence of ground water

**Invert level** (distance between the ground and the stations lowest inlet point)

A: ..... m

**Geometric height** (distance between the level of the drain and the stations lowest inlet point)

B: ..... m

**Discharge pipe length**  
(distance between the station and the drain)

C: ..... m

Number of angles at 90°: ..... at 45°: .....

Internal diameter of discharge pipe: .....

## PARTNER STAMP

Name: .....

First name: .....



[saniflo.co.uk](http://saniflo.co.uk)

SFA Saniflo Limited  
Unit 1, Watford Interchange, Colonial Way  
Watford, Herts WD24 4WP Tel: 020 8842 0033

